



Cast Iron Stoves  
& Fireplaces



# Welcome to our world



## **Warmth of Wood**

Since the dawn of history, people have gathered around a glowing wood fire to share their stories, rest their bodies and renew their spirits. In today's world, there's no better way to experience the warmth of a wood fire, than with a Jøtul stove or built-in fireplace.

**There's no warmer feeling on earth.**

## **Craftsmanship & Innovation**

Cast Iron is regarded as the best material for producing stoves and fireplaces, because of its ability to withstand high temperatures and its excellent heat retention properties. Jøtul's enamel quality, pioneered by Jøtul more than 50 years ago, is one of the worlds' best giving a maintenance free finish and an extra touch of class.

In the world of cast iron stoves and built-in fireplaces, the Jøtul name has been a byword for outstanding quality, finish, design, efficiency and safety since 1853. Consequently, Jøtul's foundry is widely considered the best in the world, with capabilities that allow Jøtul to do what our competitors cannot.

## **Environmental Commitment**

Typically, Jøtul has invested in all of our futures. Hydroelectric power, from the vast fjords in Norway, is utilised to generate the power to smelt the recycled iron. Jøtul's cleanburn technology, which is incorporated into many of its stoves and fireplaces, is designed to reduce the products of combustion. This gives more heat and a cleaner chimney resulting in greater efficiency and a significant reduction in the volume of gases emitted into the atmosphere.

## Contents

Please refer to pages 30 to 37 for full specification details. All Jøtul products are dispatched with Full User and Installation instructions. This brochure is not intended in any way to replace the Installation or User instructions provided. Some of the photographs contained within this brochure show hearth installations which may not confirm to UK or Eire Building Regulations. The stated heat outputs are approximate, and should be taken as a guide only.

<b>Introduction</b>	
<b>Jøtul Modern Line</b>	
Jøtul F 250	2
Jøtul F 320	4
Jøtul F 320	4
Jøtul F 350	4
<b>Jøtul Classic Line</b>	
Jøtul F 100	6
Jøtul F 602	6
Jøtul F 3 TD	8
Jøtul F 3	8
Jøtul F 400	10
Jøtul F 600	12
Jøtul F 500	12
Jøtul C 22	14
Jøtul C 31	14
<b>Jøtul Built-ins</b>	
Jøtul I 80 RH	16
Jøtul I 160/Jøtul I 80 Mini & Maxi	16
Jøtul I 18	168
<b>Jøtul Classic Gas Line</b>	
Jøtul GF 100	20
Jøtul GF 3	22
<b>Technology Explained &amp; Accessories</b>	24
<b>General Information</b>	28
<b>Dimensions &amp; Specifications Information</b>	30

# The inspiration you need

## Jøtul F 250

The very latest wood burning stove, from Jøtul's award winning designers, the Jøtul F 250 combines trend setting features with the best combustion technology on offer, to create a truly outstanding stove. Tested to meet the highest standards, the Jøtul F 250 has been judged to be one of the most clean burning and environmentally friendly stoves on the market. The large curved panoramic door gives a stunning view of the flame picture. Operating range: 2.9 - 9 kW, with a nominal heat output of 6 kW's.

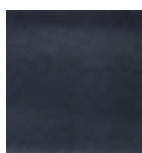
The Jøtul F 250 is available in either Blue-black enamel or Jøtul's most recent addition to it's colour selection – Grey Paint.

Brushed aluminium 'convection' side panels are offered in addition, not only to create further design possibilities, but to also offer supplementary naturally convected heat.

Colour swatches  
for Jøtul F 250



*Grey  
paint*



*Blue-black  
enamel*



*Jøtul F 250 Blue-black enamel - shown with optional 'brushed aluminium convection' side panels*



**Award for  
Design Excellence**  
Awarded by the  
Norwegian Design Council



*Modern Line*

*Jøtul F 250*

*Jøtul F 250 Grey paint*

*Design: Ogle Noor*

# Sleek and Stylish

*Jøtul F 320, stainless steel side panels*



## **Jøtul F 350**

The Jøtul F 350 is a beautiful cast iron cleanburn stove, finished in our world renowned blue-black enamel. The stove is available with black cast iron panels, the combination of materials gives the Jøtul F 350 a special character. With a nominal heat output of 8 kW, the Jøtul F 350 is a piece of 'heating furniture'. Should you choose to give a face-lift to your interior, it is simple by using the top soap stone inlay.

## **Jøtul F 320**

The Jøtul F 320 offers the same design flexibility as the Jøtul F 350. With a choice of eye-catching side panels, stainless steel or black to complement the blue-black enamel finish, the side panels can be augmented with an arctic blue soapstone inlay to complete the look as an optional accessory. Heat output of 7 kW.

**Jøtul F 320  
side panels**



*Black effect side panels  
with arctic blue soapstone*



*Stainless steel side panels  
with arctic blue soapstone*



*Jøtul F 220 in grey paint*

## **Jøtul F 220**

The award winning Jøtul F 220 is a stylishly designed small stove. The curved glass in the door creates a panoramic view, whilst the minimal lines of the stove design blend effortlessly into any interior. Available in grey paint or blue-black enamel finishes, the Jøtul F 220 offers a nominal 6 kW's of output with cleanburn as standard.



**Award for  
Design Excellence**  
Awarded by the  
Norwegian Design Council



**Award for  
Design Excellence**  
Awarded by the  
Norwegian Design Council

*Modern Line*

*Jøtul F 220, Jøtul F 320, Jøtul F 350*

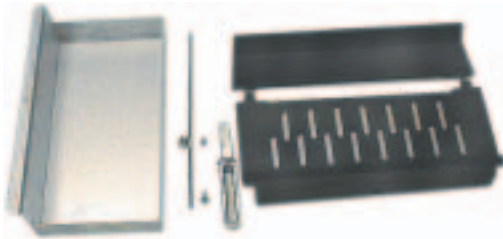
*Jøtul F 350*

*Design: Ogle Noor*

# First impressions count

## Multi-fuel Kit for Jøtul F 100

Jøtul have engineered a multi-fuel grate option for the Jøtul F 100 to offer you the convenience of burning coal. Please ask your Jøtul dealer for more advice on choosing your fuel type.



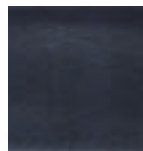
## Jøtul F 100

The Jøtul F 100 offers all of the sophistication and styling of traditional Jøtul quality, integrated with the latest heating know-how, to bring you a stove that has been well thought-out when it comes to the needs of typical homes. Sized to fit most fireplace openings, measuring only 570mm (H) by 526mm (W) by 336mm (D), the Jøtul F 100 is our latest addition to the family. Capable of burning wood and solid fuel, with the addition of the optional multi-fuel kit, the Jøtul F 100 may be small, but it doesn't lack any heat output. Capable of providing an impressive 5.5 kW's, 'Air wash' and cleanburn systems as standard. Gas version also available, please see pages 20 & 21.

Colour swatches for  
Jøtul F 100 and Jøtul F 602



*Matt black paint*



*Blue-black enamel*



## Jøtul F 602

Jøtul's 'little giant'

The very definition of the word "classic". This fashionable stove is perfectly suited to the smaller room, but is still capable of a nominal heat output of 6 kW's.

Available in two versions, standard (matt black paint only) with a solid cast iron door or cleanburn (matt black paint and blue-black enamel) with the addition of a decorative glass door to allow you to view the fire. Both options feature a useful hotplate, capable of boiling a kettle or cooking a casserole.

No wonder this is the most popular Jøtul stove selling almost 1.7 million world-wide since 1936.



**Classic Award for  
Design Excellence**  
Awarded by the  
Norwegian Design Council





*Classic Line*

*Jøtul F 100, Jøtul F 602*

*Jøtul F 100 Matt Black*

*Design: Red House Design*

# Built to last

## Multi-fuel Kit for the Jøtul F 3 TD

Jøtul have engineered an easy to install multi-fuel grate option, with a built in riddling grate, for the Jøtul F 3 TD to offer you the convenience of burning coal.

Please ask your Jøtul dealer for more advice on choosing your fuel type.

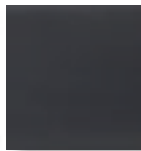


## Jøtul F 3 TD

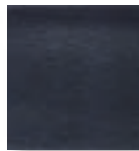
Jøtul has been successfully designing cast iron stoves and Built-in fireplaces since 1853. This vast experience has 'warmed' thousands of people world-wide to the benefits and pleasures of wood-burning stoves.

The Jøtul F 3 TD is a best seller for Jøtul, with its renowned 'gothic' door styling and classic lines. The Jøtul F 3 TD has the Jøtul 'airwash' system to allow an excellent view of the flame picture and has a solid cast iron base and no ash pan, since wood burns best on a bed of ash.

Colour swatches for Jøtul F 3 and Jøtul F 3 TD (Matt black only)



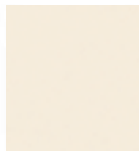
*Matt black paint*



*Blue-black enamel*



*Ocean green enamel*



*Ivory enamel*



*Jøtul F 3 TD  
Matt black*

## Jøtul F 3

Jøtul F 3 is the advanced model of the popular Jøtul F 3 TD, with cleanburn technology for greater efficiency and controllability and an integral ash solution for ease of use. Cast with clean classical lines, the Jøtul F 3 is offered in traditional matt black or with one of Jøtul's iridescent enamel finishes, Blue-black, Ocean Green or Ivory.

Adaptable with a short leg option, the Jøtul F 3 and Jøtul F 3 TD make an elegant focal point in any room. An environmentally friendly woodburning stove, the Jøtul F 3 is also capable of burning a mixture of wood and selected smokeless fuels.

Gas versions of the Jøtul F 3 are also available, please refer to pages 22 & 23 for more details.



*Classic Line*

*Jøtul F 3 TD, Jøtul F 3*

*Jøtul F 3 Ocean green enamel*

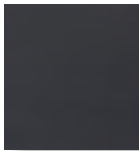
*Design: Niels-Erik Heger*

# A cast iron promise of warmth

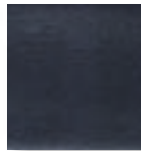
## Jøtul F 400

With an impressive nominal heat output of 8 kW, the Jøtul F 400 combines Jøtul style with technology to give an outstanding stove at home in any surroundings. A single air-washed decorative glass door provides a clear view of flames through classic 'gothic' arches. The design and attractive detail, cast into this stove by our sophisticated manufacturing process, creates a stove that in its' self is a piece of furniture.

Colour swatches for Jøtul F 400



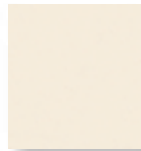
*Matt black paint*



*Blue-black enamel*



*Ocean green enamel*



*Ivory enamel*



*Jøtul F 400 Blue-black enamel*

Performance has not been overlooked, the very latest in cleanburn technology is standard, giving you a highly efficient stove to create our 'cast iron promise of warmth'.

The Jøtul F 400 has decorative interior burn plates, an integral ash solution for added convenience and a reversible 6" flue collar.

The Jøtul F 400 is also capable of burning a mixture of wood and selected smokeless fuels.



*Classic Line*

*Jøtul F 400*

*Jøtul F 400 Ivory enamel*

*Design: Red House Designr*

# Creating the right impression in any home

In the world of cast iron stoves the Jøtul name is a byword for outstanding quality, finish, design, efficiency and safety. Double doors and the 'largest firebox' in the industry combine to make the Jøtul F 600 Jøtul's top of the range stove.

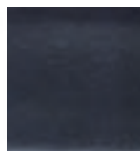
## Jøtul F 600

With all of the technological features of its smaller cousins, the Jøtul F 600 is indeed a 'classic' stove. Designed to have room for considerable sized logs, the Jøtul F 600 has a large firebox volume to heat much larger rooms. Superbly crafted with a side-loading door for added convenience and an easily accessed ashpan.

Colour swatches for Jøtul F 500 and Jøtul F 600



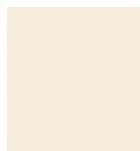
*Matt black paint*



*Blue-black enamel*



*Ocean green enamel*



*Ivory enamel*



*Jøtul F 500 Blue-black enamel*

## Jøtul F 500

The Jøtul F 500 has one of the largest styled doors available, which allows for an unbridled view of the flame picture through timeless 'gothic' design. Perfectly proportioned to make a versatile and welcome addition to any room. Side and front door loading options allow for the stove to be positioned in a multitude of settings.

At 9 kW nominal heat output, the Jøtul F 500 is large enough to be the primary heat source in most homes. Like the Jøtul F 400 and Jøtul F 600, the Jøtul F 500 is designed for ease of use. One effortless to operate control, conveniently placed for easy access, regulates the entire stove.



*Classic Line*

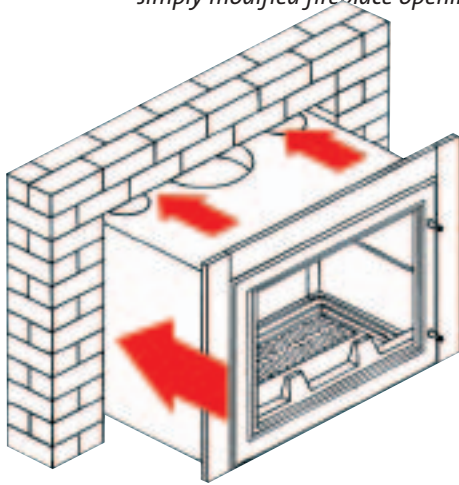
*Jøtul F 600, Jøtul F 500*

*Jøtul F 600 Blue-black enamel*

*Design: Niels-Erik Heger*

# Built in to make you want to stay in

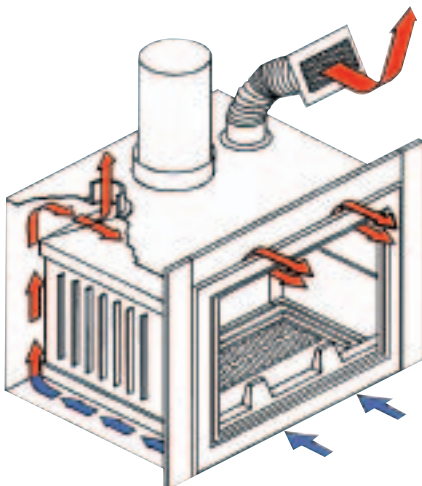
*Easy to install – fits into existing or simply modified firelance openings.*



## **Jøtul C 22**

Natural convection from a truly efficient closed combustion built-in fireplace, make the Jøtul C 22, a warming addition to any home on a cold winters evening. The Jøtul C 22 firebox provides the heat and impression of a traditional open fire, but with far greater effectiveness and significantly less heat loss to the chimney. Nominal heat output 6 kW's, matt-black paint only.

The benefits of cast iron construction, a thermally glazed door with 'air wash' and Jøtul's many years of experience in producing quality wood burning products, combine to offer you a simple to install insert fireplace, that can be easily built in almost flush within existing fireplace openings.



*Jøtul's natural convection and warm air distribution systems.*



*Jøtul C 31 Blue-black enamel*

Cold air from the room is drawn through the convection system chamber and warmed before being passed by natural convection back into the room via the top vent. This natural convection system increases the efficiency of the fireplace and combine with the conventional radiated heat to provide you with heat to every corner of your room quickly and effortlessly.

The Jøtul cassettes offer you the ability to circulate warm air to other rooms within your home. Please ask your Jøtul dealer for more details.

## **Jøtul C 31**

The landscape 'air washed' door on the Jøtul C 31 not only gives a wonderful view of the fire; it is the central feature of this built-in fireplace. Ideally sized to fit most conventional fireplace openings, the Jøtul C 31 offers convected heat circulation to reach out to the corners of your room. Capable of producing an impressive 8 kW of nominal heat output, the Jøtul C 31 gives you the pleasures of traditional home heating combined with an astounding fire view. Available in blue-black enamel only.





*Built-ins*

*Jøtul C 22, Jøtul C 31*

*Jøtul C 22 Matt Black*

# Efficiency with time-honoured style

*Jøtul I 80 RH 'Classic' Matt-black paint*



## **Jøtul I 160 Insert**

The Jøtul I 160 insert is for those people who want their main focal point fire flush fitted. It boasts 6 Kw of nominal heat output requiring bottom and top air grills to aid convection (please see page 26), as well as Jøtul's world renowned Clean burn and airwash features as standard. It is encased in a riven slate finish, giving the overall appearance of sleek quality. The Jøtul I 150 is also available as a double door version.

## **Jøtul I 80 RH**

The Jøtul I 80 RH, pictured left with 'classic' doors, is also available with either 'Harmony' or 'Panorama' doors, and has the Jøtul airwash system as standard.



*The addition of a standard stool grate allows the Jøtul I 80 to burn other solid fuels.*



*Jøtul I 80 Maxi 'Harmony' Matt black paint*

*By adapting the legs all Jøtul I 80 models are equally at home in an inglenook setting with the optional canopy, available to suit from Jøtul (UK) Ltd.*

## **Jøtul I 80 Mini & Maxi**

The Jøtul I 80 Maxi and Jøtul I 80 Mini (approx. 75mm smaller in height) have cleanburn technology and the Jøtul airwash system as standard. Whether it is the contemporary 'Harmony' folding doors, the spectacular option of the 'Panorama' door which gives you so much more flame picture, or the time honoured 'Classic' door for that bay window effect, we are sure that you will find the look you want to enhance your room.

**The Jøtul I 80 RH is exactly the same size and output as the Jøtul I 80 Maxi but does not come with cleanburn technology as standard.**

N.B.

Please refer to page 26 for information on installation methods and requirements. Canopy style may differ from brochure.



Built-ins

Jøtul I 80, Jøtul I 160

Jøtul I 160

Design: Ogle Noor

# Warmth from efficiency

With a canopy, available to suit from Jøtul (UK) Ltd, the Jøtul I 18 becomes an ideal and impressive inglenook appliance. The Jøtul I 18 can be installed free standing by the adaptation of the supporting legs provided. Please consult your Jøtul dealer for advice.

*Jøtul I 18 'Panorama'  
Blue-black enamel.*



## **Jøtul I 18**

Jøtul's built-in fireplaces offer the convenience and efficiency of a closed combustion fireplace with the look of a large open fire, if you choose to open the doors.

The Jøtul I 18 is styled to give you door options to allow you the freedom of choice. The 'Harmony' bi-fold doors can be folded back to allow you full viewing access to the fire, consequently creating the atmosphere of an open fire. If you leave the room, or want greater efficiency, the doors can be closed and you can still view the fire through the large glass panels.

The 'Panorama' door option is a one-piece curved glass door believed to be the largest glass area available on any built-in fireplace in the UK market.



*Jøtul I 18 'Harmony' Blue-black enamel*

N.B.

Please refer to page 26 for information on installation methods and requirements. Canopy style may differ from brochure.



Built-ins

Jøtul | 18

*With a canopy and modified legs the built-in becomes a free-standing option for your open fireplace.*

*Jøtul | 18 'Harmony' Blue-black enamel*

*Design: Niels-Erik Heger*

# The ultimate in both looks and performance

## Jøtul GF 100 Gas Stoves

The Jøtul GF 100 is available as either conventional flue or balanced flue to be easily installed in any home with a mains or LPG gas supply, using the conversion kit supplied. The Jøtul GF 100 stoves offer an extensive range of installation options. The conventional flue models are supplied with top or rear flue options, and the balanced flue models have an inventive flue design, where almost every likely installation can be realised. Ideally suited to fit most fireplace openings, or flexible enough to be installed on a solid wooden floor or on a 12mm non-combustible hearth, the Jøtul GF 100 can be enjoyed in a variety of settings. Effortlessly installed in conservatories, extensions and family rooms without the need for a direct electricity supply, the Jøtul GF 100 is integrity in itself that is unrivalled from Jøtul. Norwegian quality cast iron and a classic design offering both warmth and style.

Choose between a ceramic log set or a traditional coal bed to create the dream look your room has always longed for.

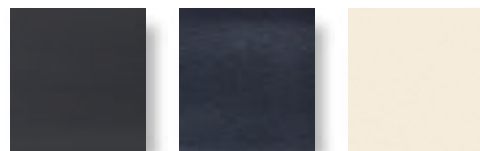


*Optional Jøtul Remote Control*



*Jøtul GF 100 BF Ivory enamel 'Log effect'*

The Jøtul GF 100 BF produces an efficient and economic 3.7 kW's of variable heat output and has a control valve that can be adjusted by hand to provide a constant heat output, or with the addition of the optional remote control, can be set to offer an output thermostatically equivalent to the desired room temperature.



Colour swatches  
for Jøtul GF 100

*Matt black  
paint*

*Blue-black  
enamel*

*Ivory enamel*



*Classic Gas Line*

*Jøtul GF 100 CF / BF*

*Jøtul GF 100 CF  
Blue-black enamel 'Coal effect'*

*Design: Red House Design*

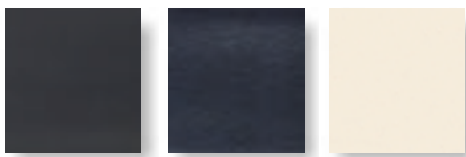
# Coal or log burning realism at the push of a button

The Jøtul GF 3 Gas stoves are also designed to allow for the use of the optional Jøtul remote control (page 20). Choose between a ceramic log or coal set.

## Jøtul GF 3 Gas Stoves

Jøtul's exclusive open door fire viewing feature, has been incorporated into the Jøtul GF 3 Gas stove. This allows you the choice of seeing the whole 'running flame' picture by opening the double doors, giving a more contemporary feel to the stove or, by choosing to close the doors, this transforms the stove back to its more classic 'timeless' look.

Colour swatches  
for Jøtul GF 3



*Matt black  
paint*

*Blue-black  
enamel*

*Ivory enamel*



*Jøtul GF 3 CF Black paint "Coal effect"*

With a Jøtul gas stove your qualified installer can easily connect your stove to natural gas or with our simple conversion kit supplied, convert the stove to LPG to extend your options further.

Offering similar varied installation options as the Jøtul GF 100, the Jøtul GF 3 is available as a conventional flued version with top or rear flueing configurations, as well as balanced flue to extend the installation options to rooms without a chimney.

The Jøtul GF 3 CF has natural convection to increase heat circulation to the furthest corners of your room and the stove soon reaches a heat output of over 4 kW's.

Within the all new Jøtul GF 3 range, the latest in gas fire knowledge has been incorporated to allow you to get pleasure from dancing flames and glowing coals or logs to create a magnificent focal point for any room. The thermostatically controlled remote control is also available as an option on the Jøtul GF 3.





Classic Gas Line

Jøtul GF 3 CF / BF

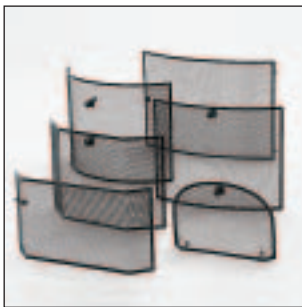
Jøtul GF 3 CF  
Ivory enamel "Log effect"

# Accessories and Stove-Care Products

Our company policy incorporates the vision that Jøtul stoves and fireplaces are designed for generations.

Jøtul has made use of its wide-ranging knowledge in the manufacture of stoves and fireplaces, and is pleased to be able to offer you a range of 'Jøtul' stove-care products to help you take care of your stove or fireplace.

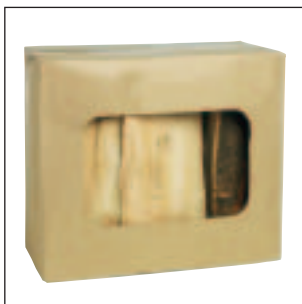
We have also designed an array of accessories, such as firescreens, decorative panels and leg options to compliment our products and to allow you to customise your Jøtul.



*Jøtul Firescreens*

Please refer to the technical section of this brochure, pages 30 onwards, for a listing of all the accessories available for your choice of Jøtul stove or fireplace.

Jøtul (UK) Ltd, as part of its policy and continued aftercare service, stock the majority of consumable spare parts required to keep your Jøtul in perfect condition and to help extend its longevity. These are obtainable via your local Jøtul dealer who will be pleased to help you further.



*Jøtul Kiln Dried Seasoned Wood*

Please ensure that only genuine Jøtul spares are used to ensure that your guarantee is not invalidated.

Your local authorised Jøtul dealer will be pleased to assist you more with the availability of Jøtul stove care products and accessories.



*Jøtul High Temperature  
Matt black paint*



*Jøtul Glass Cleaner*



*Jøtul Heat Resistant  
Stove Gloves*

# Jøtul Vitreous Enamel Flue Pipe



Colour matched to complement the existing range of high quality enamelled stoves on offer from Jøtul, our flue pipe is manufactured to BS6999 from 1.2mm low carbon steel and enamelled on both the external and internal surfaces to offer an increased level of protection to corrosion.

N.B The enamel colour is strictly controlled to ensure that a close match is achieved during production. However, due to the processes involved in manufacture, there may be a slight difference in colour between pieces, which is unavoidable.

## Jøtul Vitreous Enamel 125mm / 5" Flue Pipe

Matt Black	Blue-black	Ivory	Description
520900	521900	522900	900mm LENGTH
520600	521600	522600	600mm LENGTH
520600D	521600D	N/A	600mm LENGTH WITH S/S DOOR
520300	521300	522300	300mm LENGTH
520ADJ	521ADJ	N/A	ADJUSTABLE LENGTH 350mm-500mm
520135	521135	522135	135 ELBOW
520135D	521135D	N/A	135 ELBOW WITH S/S DOOR
52090T	52190T	52290T	90 TEE

## Jøtul Vitreous Enamel 150mm / 6" Flue Pipe

Matt Black	Blue-black	Ivory	Ocean Green	Description
620900	621900	622900	623900	900mm LENGTH
620600	621600	622600	623600	600mm LENGTH
620600D	621600D	622600D	623600D	600mm LENGTH WITH S/S DOOR
620300	621300	622300	623300	300mm LENGTH
620ADJ	621ADJ	622ADJ	623ADJ	ADJUSTABLE LENGTH 350mm-500mm
620135	621135	622135	623135	135 ELBOW
620135D	621135D	622135D	623135D	135 ELBOW WITH S/S DOOR
62090T	62190T	62290T	62390T	90 TEE

# Air circulation – Jøtul I 80, Jøtul I 18, Jøtul I 160

## Cassette Assembly Kit, Jøtul I 80

The cassette assembly kit must be ordered separately and consists of short legs, top and bottom venting panels. (340956)

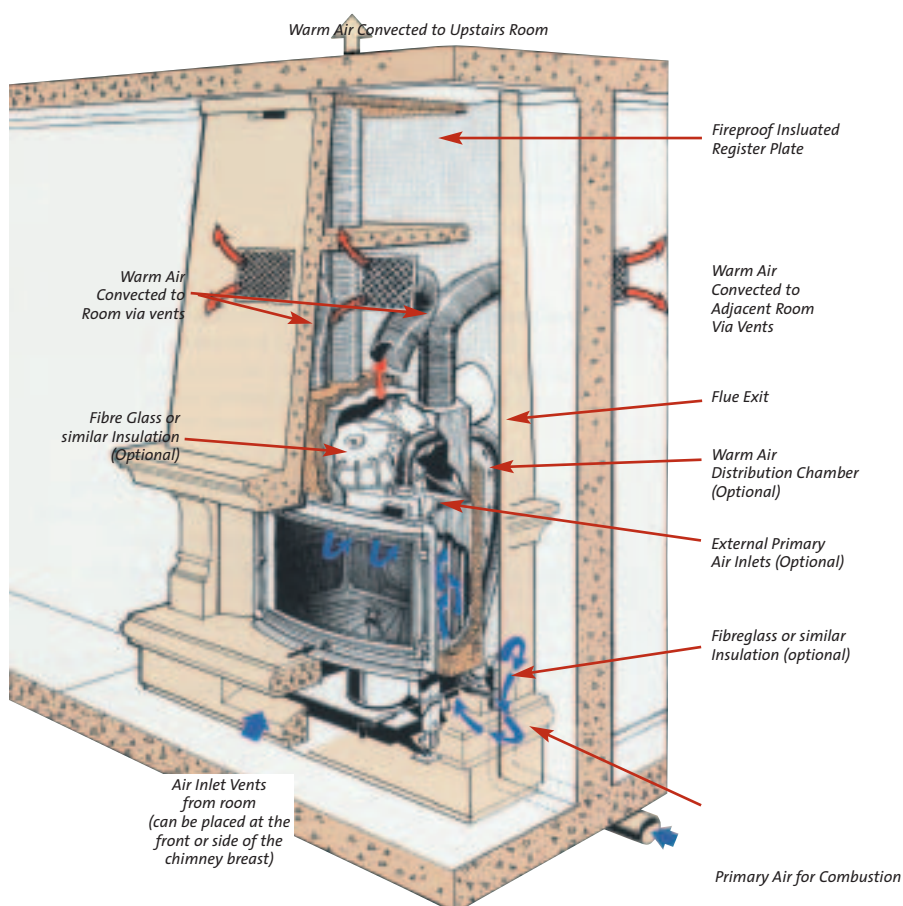


*Jøtul I 80 'Harmony', with optional Cassette Assembly Kit*

The Jøtul I 18, Jøtul I 80 and Jøtul I 160 range can be installed as single-room heaters, with warm air convected to the room through vents or with full warm air distribution, where up to 4 warm air ducts can be directed to neighbouring rooms by including the Warm Air Distribution Chamber in your installation.

## Correct Installation of Jøtul I 18, Jøtul I 80's & Jøtul I 160

It is vital to allow free circulation of air all around the firebox, both to avoid the unit overheating and to achieve optimal heating efficiency. Provision for the minimum requirement for 'free air' vents in and out of the sealed fireplace opening or chimney breast, must be provided in-order for the convection system to work properly. (please see Installation Instructions provided with the fireplace for full details)



The illustration on this page shows a typical installation method, complete with the optional Warm Air Distribution Chamber. It is intended to show the common methods involved and should not be used as a replacement for the detailed Installation Manual supplied with each fireplace.

Please ensure that the appropriate Building Regulations are strictly followed, relating to the installation of solid fuel heating appliances.

# Stove and fireplace technology explained

Jøtul's cleanburn technology is modern combustion engineering at its finest. What results from this technology is a Jøtul stove or fireplace that is environmentally friendly, more efficient and saves on fuel.

## Cleanburn

Tertiary air is brought into the rear of the stove, circulated via internal ducting to pre-heat the air. It is then, as it gains momentum, injected via a row of factory machined holes into the top of the Jøtul combustion chamber. This action causes the un-burnt gases (by product of the fuel) to be re-ignited and burn again producing extra heat and cleaner emissions. The Jøtul stove or fireplace must be burning at its optimum temperature to achieve clean burning efficiency and to reduce emissions.

## Primary air

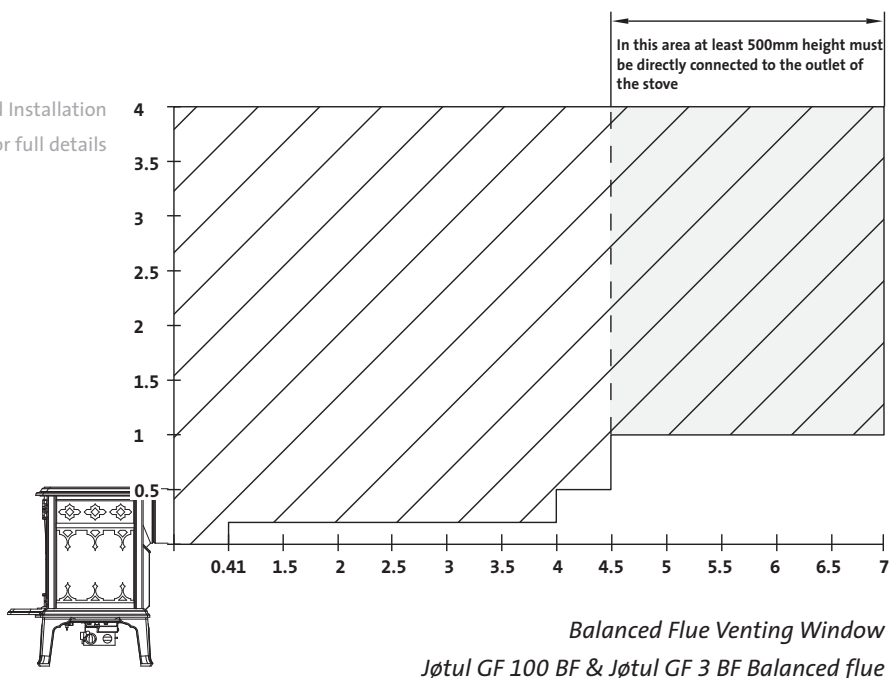
Primary air is the combustion air needed to 'feed the fire' and is generally delivered via a controllable air vent on the door of the stove to the underneath of the fire.

## Secondary air

Jøtul stoves and fireplaces, with the exception of only a couple of earlier designs, all have secondary air 'air wash' systems. Pre-heated, controllable, air is collected through a front air intake and is jetted down the back of the high temperature ceramic glass. This system keeps any volatile by-products of combustion away from the glass, improving your view of the flame picture.



N.B Please refer to User and Installation Instructions for full details



# Choosing your Jøtul stove or fireplace. What to bear in mind to meet your requirements

## Design for generations

Since 1853, Jøtul has established its' name world-wide, a name that is renowned the world over for outstanding design and performance. For close to 150 years, Jøtul ASA has been making cast iron wood-burning stoves and fireplaces that represent Norwegian quality at its best.

Aspects such as good design, functionality and safety are taken into consideration when developing our wood-burning stoves and fireplaces. Because of this tradition, Jøtul is the preferred choice of present and future generations.



## Efficiency

You will appreciate the warmth from your Jøtul stove; the latest in technology is incorporated into your Jøtul to ensure its' clean burning, environmentally sound performance. The very latest Jøtul production technology ensures that the heat output from the wood is maximised to generate more heat into your room.

It is important to choose a Jøtul that is the right size for your room. In the region of 90% of the heat from an open fire goes up the chimney. When run at its' optimum temperature, your Jøtul stove or fireplace will give out up to 80% more heat into your room.

## What size stove or fireplace do I need?

To determine the size of stove or fireplace you will require, the standard home needs 1kW of heat per 14 cubic metres of space. To work out your requirements, multiply your room width and length measured in metres, by your room height in metres (i.e. 5m x 7m = 35 x 2.5m = 87.5). This means that your room, with a normal sized window and

number of doors, has a volume of 87.5 cubic metres and will need approximately a (87.5÷14) 6kW Jøtul stove or fireplace.

Please ask your authorised Jøtul dealer for further assistance in your choice of Jøtul stove or fireplace.

## Fuel types

**Wood:** Jøtul recommends and supplies seasoned wood, which has been well aired and has a moisture content of below 20%.

**Multi-fuel:** Jøtul has also developed multi-fuel versions of some of its stoves to offer you the convenience of burning a variety of smokeless fuels. If you live outside a smoke control area you may burn house coal. **All petroleum based fuels must be avoided.**

**Gas:** With a Jøtul gas stove you get the fusion of efficient clean gas combustion, a realistic flame picture and a beautifully designed high quality cast iron product all in one. Jøtul gas burners are available for use with either Natural gas or LPG.

Please ask your Jøtul dealer for further assistance in your choice of fuel.





### Quality

Highly sophisticated research and development, strict quality control systems that conform to 'NS-EN ISO 9001' and the very latest production technology combine to produce the ultimate in both looks and performance. Jøtul cast iron is durable enough to last generations and is 100% recycled and recyclable.

### Finish

Our durable medium gloss porcelain enamel finish is not only the best, but also the most beautiful as it tastefully highlights the combination of textured and smooth surfaces that make up the exterior design of a Jøtul stove.

### Installation

Jøtul stoves are designed so that installation is uncomplicated for registered "competent persons". Installation of Jøtul gas stoves must be undertaken in accordance with UK requirements and must be fitted by a qualified installer. This must be a CORGI registered installer who should also approve that the planned site conditions are acceptable for your Jøtul stove or fireplace. Please ask your Jøtul dealer for their local recommendations.

### Design awards

Jøtul has received several prestigious design awards for "excellence" from the Norwegian Design Council.

### Your satisfaction revolves around our guarantee

All Jøtul stoves and fireplaces are covered by a conditional 10-year guarantee from the date of purchase, against failure due to faulty manufacture if installed by a suitably qualified engineer. This guarantee does not cover:

- Flame path or consumable equipment such as baffles, grates, firebricks, glass, ash pans, painted finishes and sealing materials such as ceramic rope.
- Any damage resulting from improper installation or incorrect use.
- The use of non-approved Jøtul replacement parts, which will invalidate this guarantee.

### Please Note: The use of any petroleum based fuels revokes this guarantee

The Jøtul gas burner equipment is guaranteed for 1 year only. This guarantee does not affect your statutory rights.

### Seasoned wood

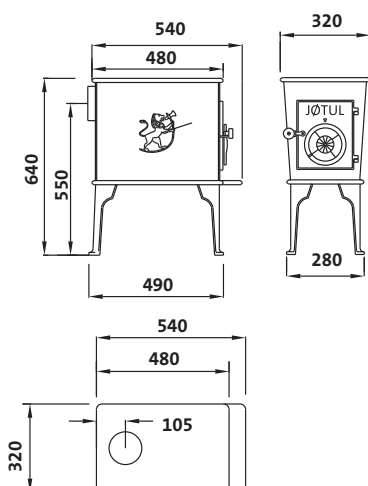
By burning seasoned wood your Jøtul stove or insert will meet your highest expectations. We know that it can be difficult to guarantee consistent availability of quality wood. Your Jøtul dealer is able to supply cut, clean, kiln-dried logs in easy to handle boxes. Please ask for details.

 **Award for Design Excellence**  
Awarded by the Norwegian Design Council

 **Classic Award for Design Excellence**  
Awarded by the Norwegian Design Council

# Dimension and Specification Information

## Jøtul F 602



Catalogue Number:

- 320036 Cast iron door - standard (Black paint)
- 320086 Glass door - cleanburn (Blue-black enamel)
- 320089 Glass door - cleanburn (Black paint)

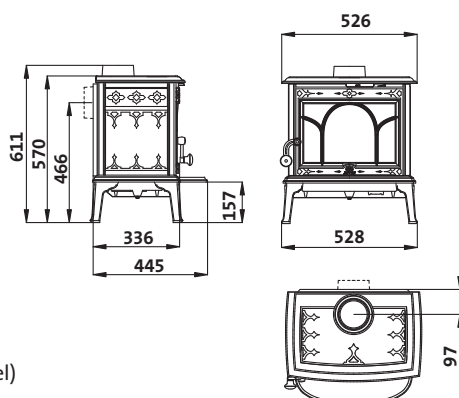
**Finish Options:** Matt Black Paint (Standard)  
Matt Black Paint  
Blue-black Enamel (Cleanburn with glass door)

**Heat Output:** Min 1 kW,  
Nom 6 kW  
Max 8.5 kW

**Maximum Log Length:** 400mm  
**Flue Outlet:** Top / Rear  
**Flue Size:** 125mm / 5" dia.

**Accessories:** Glass Door (Black Paint) 320073  
Decorative Top (Black Paint) 320009  
(Blueblack Enamel) 320063

## Jøtul F 100



Catalogue Number:

- 350710 (Black Paint)
- 350711 (Blue-black enamel)

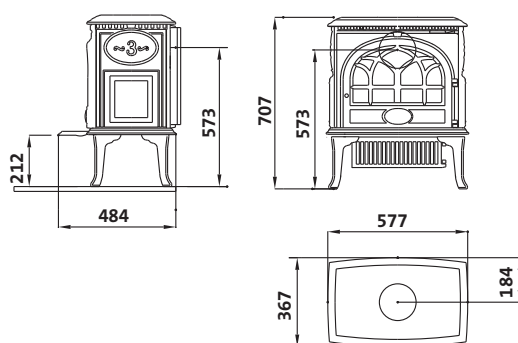
**Finish Options:** Matt Black Paint  
Blue-black Enamel

**Heat Output:** Min 2.7 kW,  
Nom 5.5 kW  
Max 7.5 kW

**Maximum Log Length:** 400mm  
**Flue Outlet:** Top / Rear  
**Flue Size:** 125mm / 5" dia.

**Accessories:** Multi-fuel Kit (350718)  
Long legs - Black Paint (350735),  
Blue-Black enamel (350736)

## Jøtul F 3



Catalogue Number:

- 350140 (Jøtul F 3 TD – Black Paint)
- 350329 (Black Paint)
- 350330 (Blue-black enamel)
- 350331 (Ivory enamel)
- 350332 (Ocean green enamel)

**Finish Options:** Matt Black Paint  
Blue-black Enamel  
Ivory Enamel \*  
Ocean Green Enamel

**Heat Output:** Min 1.8 kW  
Nom 6 kW  
Max 9 kW

**Maximum Log Length:** 460mm  
**Flue Outlet:** Top / Rear / Side  
**Flue Size:** 150 mm / 6" dia.

**Accessories:** Multi-fuel grate for Jøtul F 3 TD † (350282)  
Multi-fuel ashpan for Jøtul F 3 TD † (190020)  
Multi-fuel bottom tray for Jøtul F 3 TD † (190021)  
Firescreen (350166)

Short Legs (150mm) - available in all colours – (reduces the overall height by 65 mm)

Décor Rings - available in all colours ††

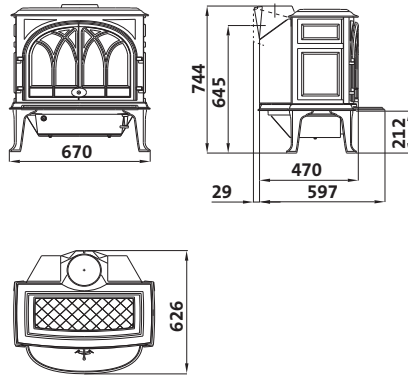
\* Top/rear exit only

† For conversion of Jøtul F 3 TD only – all 3 items required

†† Jøtul F 3 cleanburn stove top exit only (required)



## Jøtul F 400



Catalogue Number:

- 350688 (Black paint)
- 350689 (Blue-black enamel)
- 350690 (Ocean green enamel)
- 350691 (Ivory enamel)

**Finish Options:** Matt Black Paint  
Blue-black Enamel  
Ivory Enamel  
Ocean Green Enamel

**Heat Output:** Min 2 kW,  
Nom 8 kW  
Max 12 kW

**Maximum Log Length:** 500 mm

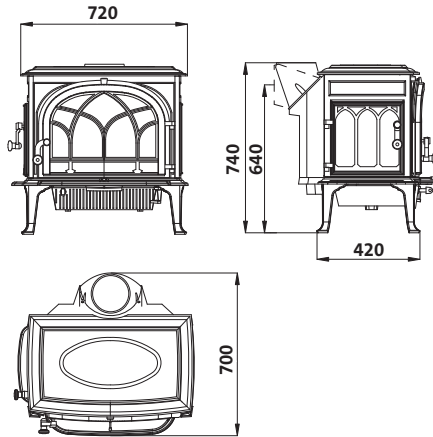
**Flue Outlet:** Top / Rear

**Flue Size:** 150 mm / 6" dia.

**Accessories:** Firescreen (350693)

Short Legs (150mm) - available in all colours –  
(reduces the overall height by 65 mm)

## Jøtul F 500



Catalogue Number:

- 350420 (Black paint)
- 350421 (Blue-black enamel)
- 350422 (Ocean green enamel)
- 350423 (Ivory enamel)

**Finish Options:** Matt Black Paint  
Blue-black Enamel  
Ivory Enamel  
Ocean Green Enamel

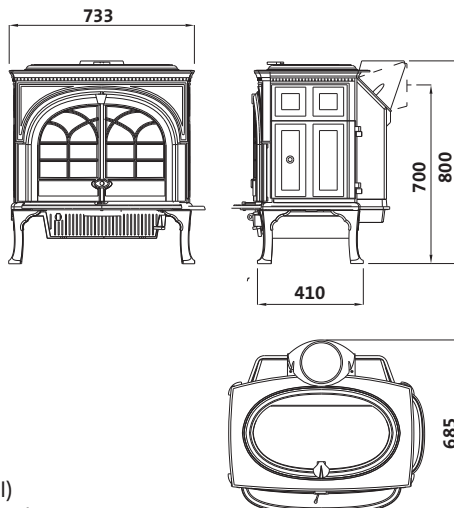
**Heat Output:** Min 3,5 kW  
Nom 9 kW  
Max 13,5 kW

**Maximum Log Length:** 550 mm

**Flue Outlet:** Top / Rear

**Flue Size:** 150 mm / 6" dia.

## Jøtul F 600



Catalogue Number:

- 350460 (Black paint)
- 350461 (Blue-black enamel)
- 350462 (Ocean green enamel)
- 350463 (Ivory enamel)

**Finish Options:** Matt Black Paint  
Blue-black Enamel  
Ivory Enamel  
Ocean Green Enamel

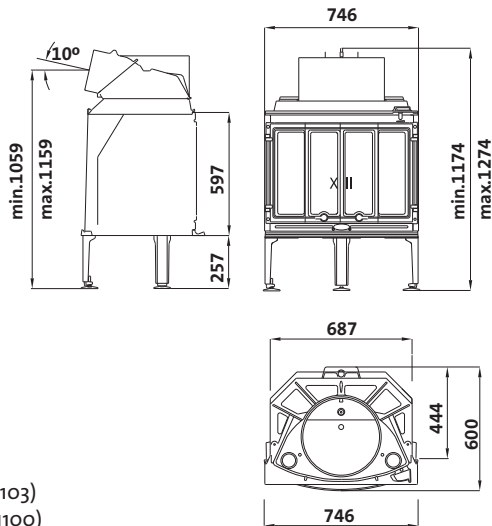
**Heat Output:** Min 3,5 kW  
Nom 10 kW  
Max 15 kW

**Maximum Log Length:** 550mm

**Flue Outlet:** Top / Rear

**Flue Size:** 150 mm / 6" dia.

## Jøtul I 18

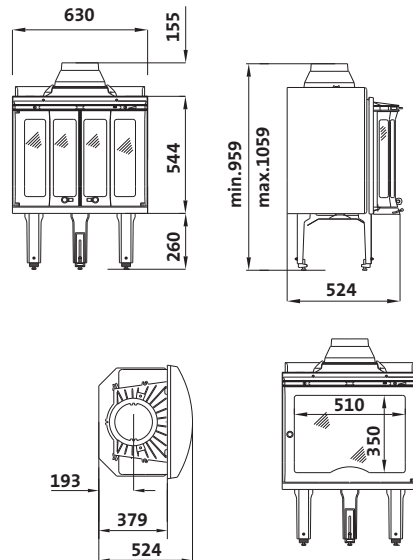


Catalogue Number:

- Jøtul I 18 Harmony (341103)
- Jøtul I 18 Panorama (341100)

<b>Finish Options:</b>	Blue-black Enamel
<b>Heat Output:</b>	Min 3 kW, Nom 15 kW Max 22.5kW
<b>Maximum Log Length:</b>	500 mm
<b>Flue Size:</b>	Connects to 200 mm / 8" dia
<b>Door Styles:</b>	Harmony Panorama
<b>Accessories:</b>	Canopy, complete with side panels (190002) Firescreen (340793) Side Extension Panel (340803) Top Extension Panel (340797) Internal Ash Solution (340809)

## Jøtul I 80 RH Harmony/Panorama

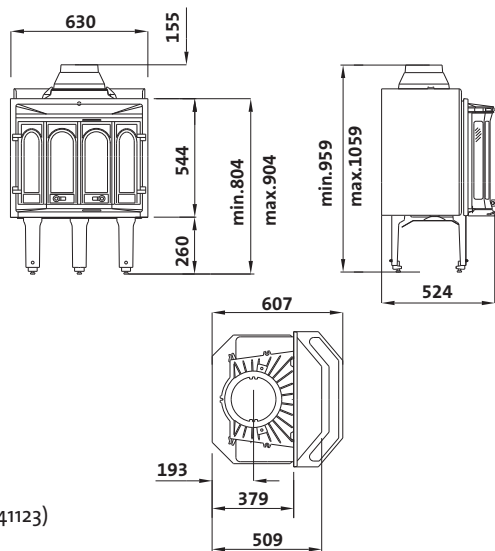


Catalogue Number:

- Jøtul I 80 RH Harmony (341124)
- Jøtul I 80 RH Panorama (341121)

<b>Finish Options:</b>	Matt Black Paint (Harmony) Blue-black Enamel (Panorama)
<b>Heat Output:</b>	Min 2 kW, Nom 11 kW Max 16.5 kW
<b>Maximum Log Length:</b>	400 mm
<b>Flue Size:</b>	175 mm / 7" dia. 200 mm / 8" dia.
<b>Accessories:</b>	Canopy, complete with side panels (190001) Damper (340955) Grilling Grid (340957) Firescreen - Harmony (340979) Firescreen - Panorama (340979)

## Jøtul I 80 RH Classic



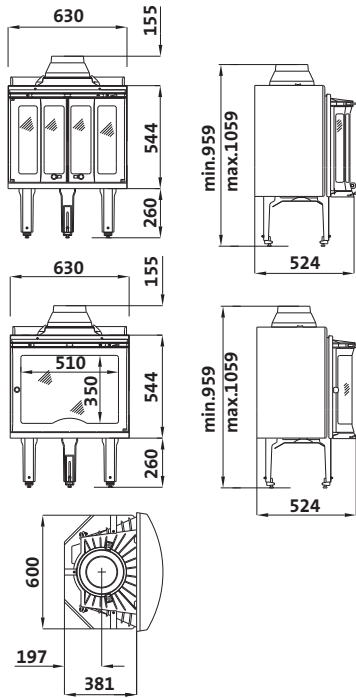
Catalogue Number:

- Jøtul I 80 RH Classic (341123)

<b>Finish Options:</b>	Matt Black Paint
<b>Heat Output:</b>	Min 2 kW, Nom 11 kW Max 16.5 kW
<b>Maximum Log Length:</b>	400 mm
<b>Flue Size:</b>	175 mm / 7" dia. 200 mm / 8" dia.
<b>Accessories:</b>	Canopy, complete with side panels (190001) Damper (340955) Grilling Grid (340957) Firescreen (340758)

Side and top extension panels further extend the design possibilities for built-in installations, please refer to price list for details.

## Jøtul I 80 Maxi Harmony/Panorama



Catalogue Number:

- Jøtul I 80 Maxi Harmony (340976)
- Jøtul I 80 Maxi Panorama (341112)

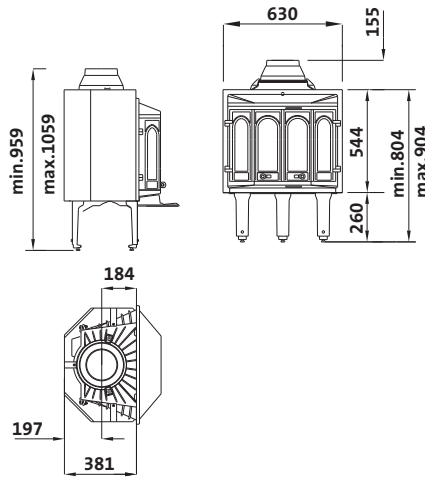
**Finish Options:** Matt Black Paint (Harmony)  
Blue-black Enamel (Panorama)

**Heat Output:** Min 2 kW,  
Nom 11 kW  
Max 16.5 kW

**Maximum Log Length:** 400 mm  
**Flue Size:** 150 mm / 6" dia.  
175 mm / 7" dia.

**Accessories:**  
Canopy, complete with side panels (190001)  
Damper (340955)  
Grilling Grid (340957)  
Firescreen - Harmony (340979)  
Firescreen - Panorama (340979)

## Jøtul I 80 Maxi Classic



Catalogue Number:

- Jøtul I 80 Maxi Classic (340977)

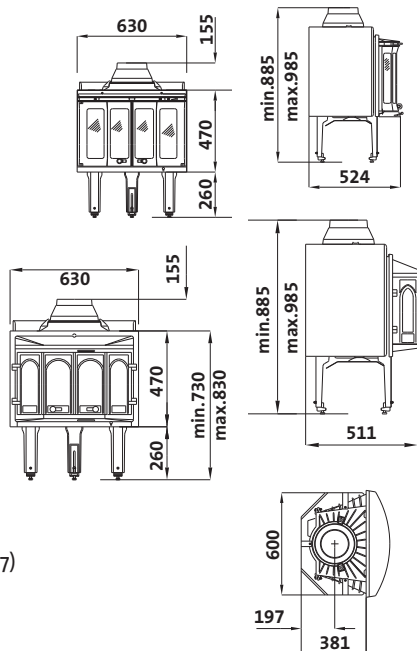
**Finish Options:** Matt Black Paint

**Heat Output:** Min 2 kW,  
Nom 11 kW  
Max 16.5 kW

**Maximum Log Length:** 400 mm  
**Flue Size:** 150 mm / 6" dia.  
175 mm / 7" dia.

**Accessories:**  
Canopy, complete with side panels (190001)  
Damper (340955)  
Grilling Grid (340957)  
Firescreen (340758)

## Jøtul I 80 Mini Harmony/Classic



Catalogue Number:

- Jøtul I 80 Mini Harmony (340947)
- Jøtul I 80 Mini Classic (340948)

**Finish Options:** Matt Black Paint

**Heat Output:** Min 1.9 kW  
Nom 7 kW  
Max 10.5 kW

**Maximum Log Length:** 400 mm  
**Flue Size:** 150 mm / 6" dia.  
175 mm / 7" dia.

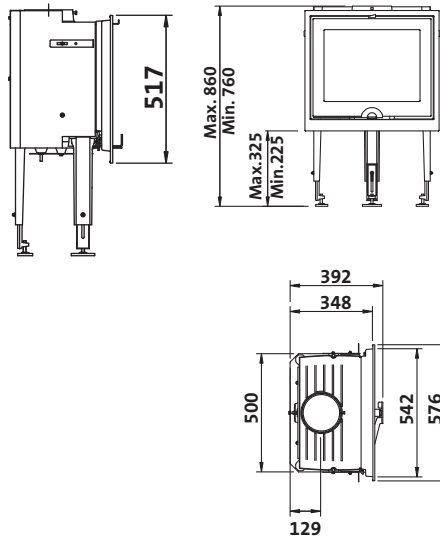
**Accessories:**  
Canopy, complete with side panels (190001)  
Damper (340955)  
Grilling Grid (340957)  
Firescreen - Harmony (340927)  
Firescreen - Classic (340759)

Side and top extension panels further extend the design possibilities for built-in installations, please refer to price list for details.

## Jøtul I 160



Catalogue Number:  
• Jøtul I 160 (341187)



**Finish Options:** Matt Black Paint

**Heat Output:** Min 2.6 kW  
Nom 6 kW  
Max 7.8 kW

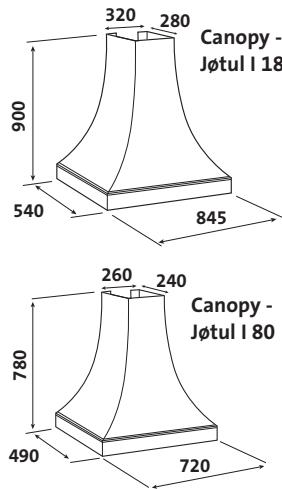
**Maximum Log Length:** 400 mm

**Flue Size:** 150 mm / 6" dia.

## Canopies- Jøtul I 18 / I 80



Catalogue Number:  
• 190001 to suit Jøtul I 80  
• 190002 to suit Jøtul I 18



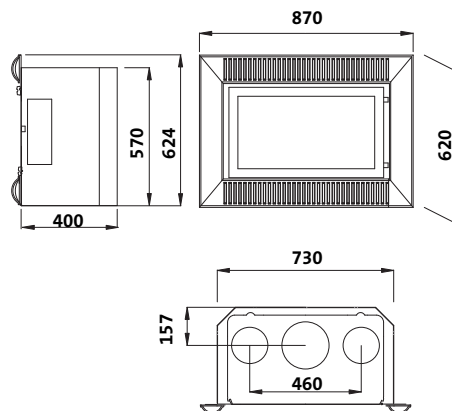
Canopies are supplied complete with a set of matching side panels, and sprayed Matt Black with High temperature paint

Made to measure canopies are available at extra cost.

## Jøtul C 31



Catalogue Number:  
• Jøtul C 31 (340859)



**Finish Options:** Blue-black Enamel

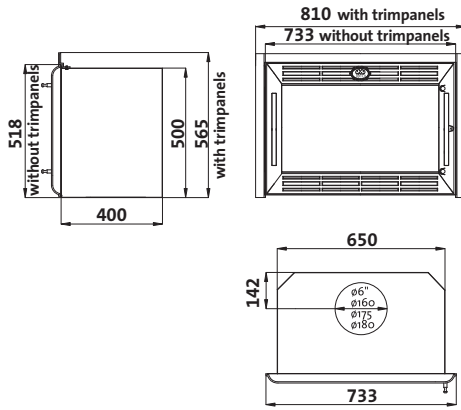
**Heat Output:** Min 2kW,  
Nom 8kW  
Max 12kW

**Maximum Log Length:** 550 mm

**Flue Size:** Connects to 175 mm / 7" dia

**Accessories:** Coal Basket (340855)  
Flue Connection Kit (340856)

## Jøtul C 22



Catalogue Number:  
• Jøtul C 22 (340930)

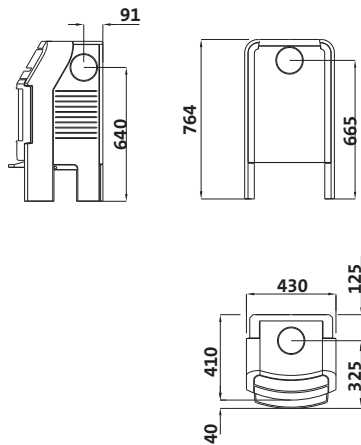
**Finish Options:** Matt Black Paint

**Heat Output:** Min 1.7 kW's  
Nom 6 kW's  
Max 9 kW's

**Maximum Log Length:** 340 mm

**Flue Size:** Connects to 150 / 6" dia.

## Jøtul F 220



Catalogue Number:  
• 350762 (Grey paint)  
• 350763 (Blue-black enamel)

**Finish Options:** Grey Paint  
Blue-black Enamel

**Heat Output:** Min 1.8 kW  
Nom 6 kW  
Max 9 kW

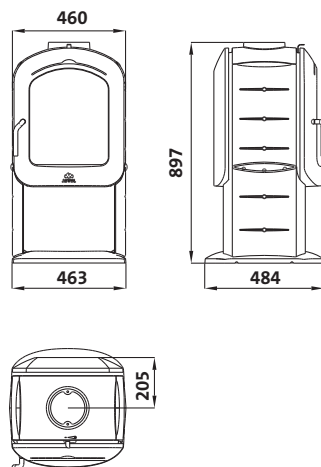
**Maximum Log Length:** 340 mm

**Flue Outlet:** Top / Rear / Side

**Flue Size:** 125 mm / 5" dia.

**Accessories:** Floorplate – Blue-black (350248)  
Hotplate – Blue-black (350249)

## Jøtul F 250



Catalogue Number:  
• 350704 (Grey paint)  
• 350705 (Blue-black enamel)

**Finish Options:** Grey Paint  
Blue-black Enamel

**Heat Output:** Min 2.9 kW  
Nom 6 kW  
Max 9 kW

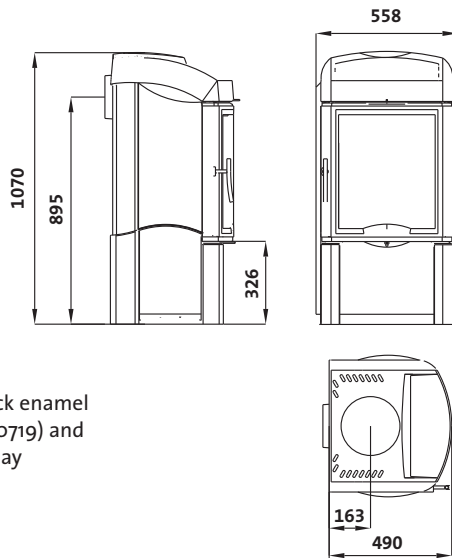
**Maximum Log Length:** 300 mm

**Flue Outlet:** Top Only

**Flue Size:** 150 mm / 6" dia.

**Accessories:** Brushed Aluminium Side Convector Panels for Jøtul F 250 'Greypaint' (350715)  
Brushed Aluminium Side Convector Panels for Jøtul F 250 'Blue-black enamel' (350716)

## Jøtul F 350

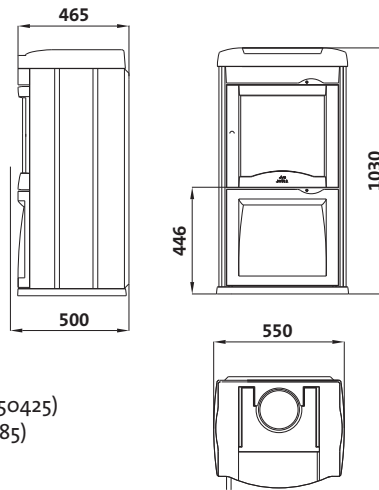


Catalogue Number:  
350727 - Jøtul F 350 Blue-Black enamel  
with cast iron side panels (350719) and  
Arctic Grey Soapstone top inlay  
(350749)

**Finish Options:** Blue-black Enamel  
**Heat Output:** Min 2 kW  
Nom 8 kW  
Max 12 kW  
**Maximum Log Length:** 350mm  
**Flue Outlet:** Top /Rear  
**Flue Size:** 150mm / 6" dia.

**Accessories:** Arctic Grey Soapstone side panels  
(350721)

## Jøtul F 320



Catalogue Number:  
• Jøtul F 320 Stainless Side Panels (350425)  
• Jøtul F 320 Black Side Panels (350685)

**Finish Options:** Blue-black Enamel  
**Heat Output:** Min 1.8 kW,  
Nom 7 kW  
Max 10.5 kW  
**Maximum Log Length:** 340mm  
**Flue Outlet:** Top Only  
**Flue Size:** 150mm / 6" dia.

**Accessories:** Arctic Blue soapstone  
inlay panels (350632)  
Grilling grill (34094)  
Flue pipe trim (350687)

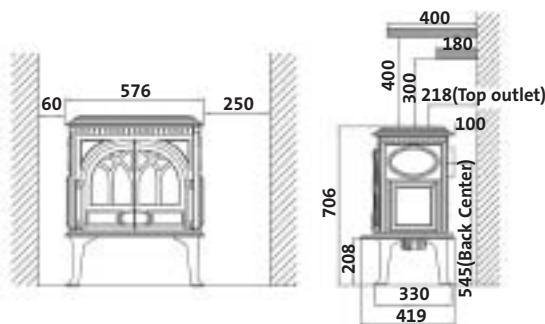
### General note for all stoves and fireplaces

Figures given for heat output are based on refuelling with wood every two hours. Outputs vary depending on the quality of the fuel used and refuelling periods.

# Gas Dimension and Specification Information

## Conventional Flue

### Jøtul GF 3 CF



Catalogue Number -  
Log Version:

- 350730 (Black paint) + 350729
- 350731 (Blue-black enamel) + 350729
- 350733 (Ivory enamel) + 350729

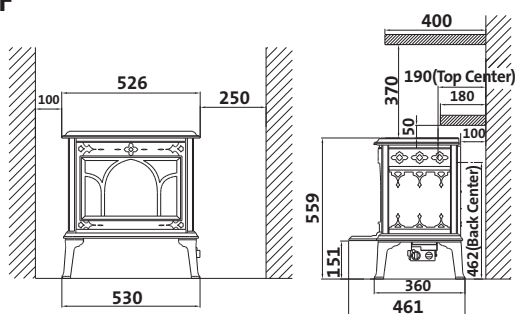
Catalogue Number -  
Coal Version:

- 350730 (Black paint) + 350728
- 350731 (Blue-black enamel) + 350728
- 350733 (Ivory enamel) + 350728

**Finish Options:** Matt Black Paint  
Blue-black Enamel  
Ivory Enamel  
**Heat Output:** 4.5 kW  
**Heat Input:** 6.5 kW  
**Efficiency:** 70%  
**Flue Outlet:** Top / Rear  
**Flue Size:** Connects to 125mm / 5" dia.  
**Fuel Effect Options:** Coal & Log Effects  
**Gas Types:** Natural Gas  
LPG

Suitable for class 1 & 2 and precast flues to BS 1289  
parts 1 & 2 as well as Closure Plate installations to BS  
5871 parts 1 and BS 5440 part 1

## Jøtul GF 100 CF



Catalogue Number -

Log Version:

- 350670 (Black paint) +350729
- 350671 (Blue-black enamel) +350729
- 350673 (Ivory enamel) +350729

Coal Version:

- 350670 (Black paint) +350728
- 350671 (Blue-black enamel) + 350728
- 350673 (Ivory enamel) +350728

Finish Options:

Matt Black Paint  
Blue-black Enamel  
Ivory Enamel

Heat Output:

3.85 kW

Heat Input:

5.5 kW

Efficiency:

70%

Fuel Outlet:

Top / Rear

Fuel Size:

Connects to 125mm / 5" dia.

Fuel Effect:

Coal/Log

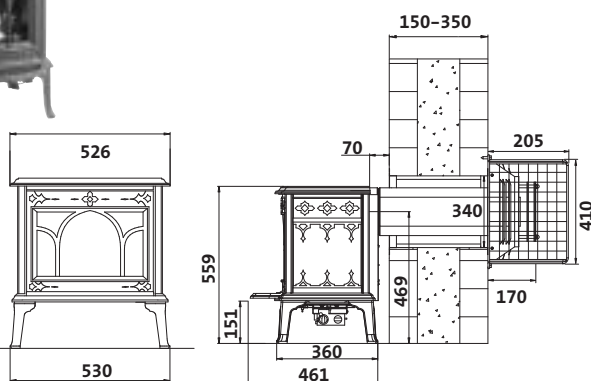
Gas Types:

Natural Gas  
LPG

Suitable for class 1 & 2, and precast flues to BS 1289 parts 1 & 2 as well as Closure Plate installations to BS 5871 parts 1 and BS 5440 part 1

## Balanced Flue

### Jøtul GF 100 BF



Catalogue Number -

Log Version:

- 350745 (Black paint) + 350729
- 350746 (Blue Black enamel) + 350729
- 350748 (Ivory enamel) + 350729

Coal Version:

- 350745 (Black paint) + 350728
- 350746 (Blue-black enamel) + 350728
- 350748 (Ivory enamel) + 350728

Finish Options:

Matt Black Paint  
Blue-black Enamel  
Ivory Enamel

Heat Output:

3.7 kW

Heat Input:

4.6 kW

Efficiency:

80%

Fuel Effect:

Coal/Log

Gas Types:

Natural Gas  
LPG

Flue Outlet:

Rear

Flue Options:

Standard Kit - Rear Exit

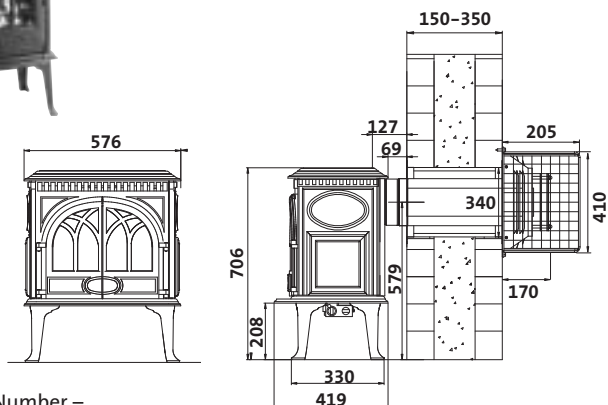
It is not possible to connect to the top of the GF 100 BF. If a vertical flue connection is required a 90 degree bend must be used directly from the rear of the stove, increasing overall depth by 250 mm.

Please refer to flue venting diagram (page 27) and the Installation instructions for full details

Accessories:

Please refer to the current Jøtul price list for full details of all flue extension accessories

### Jøtul GF 3 BF



Catalogue Number -

Log Version:

- 350750 (Black paint) + 350729
- 350751 (Blue black enamel) + 350729
- 350753 (Ivory enamel) + 350729

Coal Version:

- 350750 (Black paint) + 350728
- 350751 (Blue black enamel) + 350728
- 350753 (Ivory enamel) + 350728

Finish Options:

Matt Black Paint  
Blue-black Enamel  
Ivory Enamel

Heat Output:

4.1 kW

Heat Input:

5 kW

Efficiency:

82%

Fuel Effect:

Coal/Log

Gas Types:

Natural Gas  
LPG

Flue Outlet:

Top/Rear

Flue Options:

Standard Kit - Rear Exit

Please refer to flue venting diagram (page 27) and the Installation instructions for full details

Accessories:

Please refer to the current Jøtul price list for full details of all flue extension accessories

### General note for all stoves and fireplaces

The Gas Stove ceramic coal set and log sets are not interchangeable

Short Leg (155mm) are available for the Jøtul GF 3 BF / GF 3 CF in all colours options. Gas heat output could be effected by chimney or flue conditions.

Jøtul (UK) Ltd  
1, The io Centre, Nash Road  
Park Farm North, Redditch  
Worcestershire B98 7AS

Tel: 01527 506010  
Fax: 01527 528181  
Email: sales@jotuluk.com  
www.jotul.com

*Jøtul have a policy of constant improvement and upgrading. Products therefore may differ in specification, design, material or dimensions at any time without prior notice.*

*Whilst we have made every effort to represent the finish of our stoves as closely as possible, the printing and photographic process may cause variances in colour and flame picture.*

*The operation and appearance of our products rely on variable factors such as the standard of installation and performance of the flue system.*

The stone surrounds featured within this brochure on pages 3/23/26, where supplied courtesy of Minsterstone Ltd.  
[www.minsterstone.ltd.uk](http://www.minsterstone.ltd.uk)

**Cast Iron Stoves  
& Fireplaces**