

INDUSTRIAL SOUND-POWERED TELEPHONE SYSTEMS

ORDERING INFORMATION

	TYPE	DYNALEC PART
HANDSET	A257-2UL	702019-003
HANDSET	A333-S3	702019-079
HANDSET	A560	702019-675
HANDSET	A555	702019-575
HANDSET	A577	702019-845
HANDSET	A333-1	702019-073
HANDSET HOLDER	5200	701002-947
HANDSET HOLDER	5201	701002-948
HANDSET HOLDER	A815	701006-912
HANDSET HOLDER	A281	701012-300
HANDSET HOLDER	A325-1	702019-125/142
HANDSET HOLDER	Z-33A	701021-273
HEAD-CHEST SET	A330	702019-165
HEAD-CHEST SET	A429	702019-325
HEAD-CHEST SET	A602	702019-855
HEAD-CHEST SET	A603	702019-905
HEADSET	A331	702019-245
HEADSET	A332	702019-255
HEAD-CHEST SET HOLDER	5740	701005-343
CALL SIGNAL STATION		
COMMON TALKING/COMMON SIGNALLING*	A541	702019-455
COMMON TALKING/SELECTIVE SIGNALLING*	A542	702019-505
COMMON TALKING/SELECTIVE SIGNALLING*	A543	702019-520
SUBSTATION*	A540	702019-445
COMMON TALKING/COMMON SIGNALLING**	A544	702019-535
COMMON TALKING/SELECTIVE SIGNALLING**	A545	702019-545
COMMON TALKING/SELECTIVE SIGNALLING**	A546	702019-555
SUBSTATION**	A571	702019-835
PROTECTIVE HOOD		701000-677
EXTENSION HOWLER	A547	702003-239
POCKET TELEPHONE	A278	702019-090
MONOPHONE	A734	702019-945
GENERATOR-OPERATED RELAY	A537	702019-435
JACK BOX	A343-G15A	702003-473
JACK BOX	A343-G15B	702003-471
JACK BOX	A343-G15C	702003-472
VISUAL SIGNAL DEVICE	MIL P/N M16377/27-92.2	701021-250
RECEIVER & TRANSMITTER UNIT	UA1614	702020-050/064
ROTARY SELECTOR SWITCH, SYMBOL 2788	A442	702019-366
ROTARY SELECTOR SWITCH, SYMBOL 2788.1	A442S1	702000-903
ROTARY SELECTOR SWITCH, SYMBOL 2747.1	A960S2	702014-920
ROTARY SELECTOR SWITCH, SYMBOL 2747	A960S1	702014-919
PANEL-MOUNTED JACK H-27A	UA1076	65002-004
WATERTIGHT JACK	A689	702003-453
PORTABLE PLUG	A529	702004-234
EXTENSION CORDSET, 25-foot	A567-1	702019-785
EXTENSION CORDSET, 50-foot	A567-2	702019-786
EXTENSION CORDSET, 75-foot	A567-3	702019-787
EXTENSION CORDSET, 100-foot	A567-4	702019-788

* Industrial

**Bureau of Mines Approved.

ORDERING INFORMATION (cont.)

	TYPE	DYNALEC PART
EXTENSION CORDSET, 25-foot	A804-1	702019-961
EXTENSION CORDSET, 50-foot	A804-2	702019-962
EXTENSION CORDSET, 75-foot	A804-3	702019-963
EXTENSION CORDSET, 100-foot	A804-4	702019-964
SWITCH BOX	A17A	65002-700
SWITCH BOX	A19A	65002-705
STOWAGE BOX, 1 Compartment	Symbol No. 2924.1	702003-464
STOWAGE BOX, 2 Compartments	2925.1	702003-465
STOWAGE BOX, 3 Compartments	2926.1	702003-466
STOWAGE BOX, 4 Compartments	2927.1	702003-467
STOWAGE BOX, 5 Compartments	2928.1	702003-468
STOWAGE BOX, 6 Compartments	2929.1	702003-469

SYSTEM FEATURES

- Dynalec USI-Type sound-powered principle eliminates the need for an external power source or batteries.
- User's voice creates all of the necessary power.
- Reliable communications are never interrupted by a power failure.
- Ideal for use in airport, fire and police rescue crews, public utilities, schools, vaults, refrigeration plants and civil defense.
- Where outside power is not available, sound-powered telephones provide communication for bridge construction, diving projects and geophysical operations. Also sound-powered telephones are used in isolated areas such as oil fields, parks and forests, railroad, and salvage yards.
- Sound-powered telephone systems offer clear transmission for accurate and understood communication in high-noise locations such as foundries, heavy manufacturing plants, shipping docks, shipyards, sports arenas, and road-building projects.
- Sound-powered telephone equipment is explosion-proof, making it ideal for arsenals and powder works, gas works, chemical plants, oil refineries, mines and quarries, and nuclear installations.
- Lightweight and portable, the equipment is user-friendly. A minimum of instruction is necessary to operate units comfortably and effectively.
- Dynalec manufactures sound-powered telephone systems which conform to military specifications, meet industrial standards, and are approved by the Bureau of Mines.

INDUSTRIAL SOUND-POWERED TELEPHONE SYSTEMS

WEATHER-PROOFED SOUND-POWERED TELEPHONE SYSTEMS UNITS

Sound-powered handsets are designed for reliable service under adverse conditions. Handset is weatherproof and equipped with blast-stop screws. Uses plug-in type transmitter and receiver units.

Handset is nine inches long and weighs approximately 20 ounces without a cord.

HANDSET
TYPE A257-2UL **DYNALEC PART 702019-003**

Handset carries Underwriters Laboratory approval for use in hazardous, Class I, Group D environments. Comes equipped with a 4-1/2-foot, rubber-covered cord.

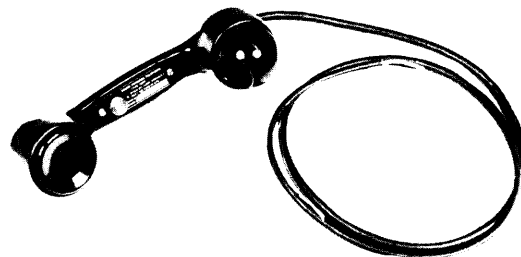
HANDSET
TYPE A333-S3 **DYNALEC PART 702019-079**

6-foot, rubber-covered cord, 1-foot coiled; Press-To-Operate Switch.

HANDSET
TYPE A560 **DYNALEC PART 702019-675**

Weatherproof handset with built-in Press-To-Operate Switch which connects the handset to the line. When the switch is inactive, the handset can not introduce extraneous noise to the line. A sturdy, heavy-duty set with plug-in units.

Comes complete with 4-foot, heavy-duty, rubber-covered cord.



HANDSET
TYPE A555 **DYNALEC PART 702019-575**

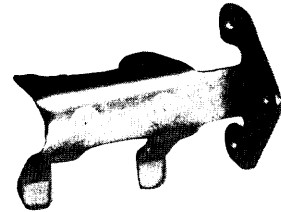
Same as Type A560 without switch. Comes with 4-foot, rubber-covered cord.

**HANDSET
TYPE A577****DYNALEC PART 702019-845**

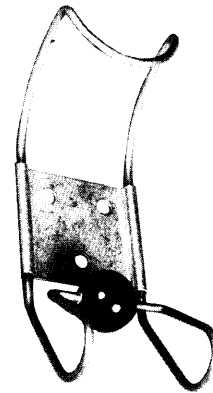
4-foot, rubber-covered cord with alligator clips; without switch.

**STANDARD MOUNTING HOOK
TYPE 5200****DYNALEC PART 701002-947**

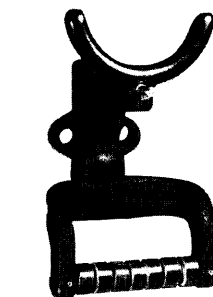
Standard for left-hand mounting on signal boxes and other locations.

**STANDARD MOUNTING HOOK
TYPE 5201****DYNALEC PART 701002-948**

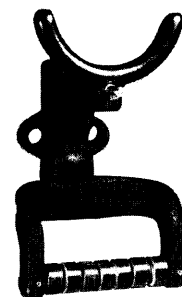
Standard for right-hand mounting on signal boxes and other locations.

**RIGID FRAME HANDSET HOLDER
TYPE A815****DYNALEC PART 701006-912**

Rigid 0.1875-inch diameter stainless steel rod frame with molded phenolic ball which slips into transmitter mouthpiece to hold handset securely in place.

**LOCKING TYPE HANDSET HOLDER
TYPE A281****DYNAMIC PART 701012-300**

A black-finished aluminum, locking hook with rubber-padded fork for handset receiver; transmitter is held firmly by a stainless steel coil spring covered with laminated phenolic rollers.

**LOCKING TYPE HANDSET HOLDER
TYPE A325-1****DYNALEC PART 702019-125/142**

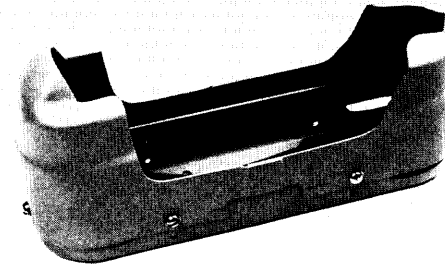
Multiple mounting hook. Similar to Type A281, having eight switching arrangements, utilizing up to six switch springs. The switch is activated by removing and replacing the handset. All contacts are break-before-make and are rated at 115 VAC, 0.5 Amp, 60 Hz, or 24 VAC, 1.0 Amp, 60 Hz.

INDUSTRIAL SOUND-POWERED TELEPHONE SYSTEMS

HANDSET HOLDER TYPE Z-33A

DYNALEC PART 701021-273

Body of the holder is manufactured of brass and includes a pressure leaf spring to keep the handset secure, and mounting holes.

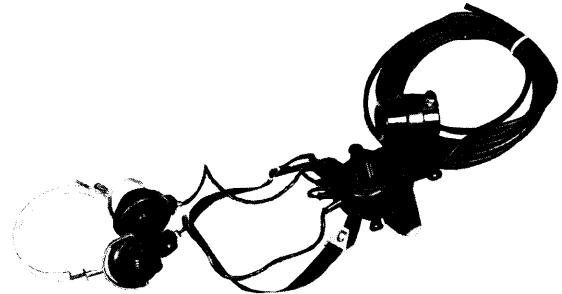


Sound-powered head-chest set is useful wherever the operator must have hands free.

HEAD-CHEST SET TYPE A330

DYNALEC PART 702019-165

Heavy-duty, weatherproof double receiver set for a wide variety of uses wherever operator must have hands free. Supplied with 10-foot, heavy-duty, rubber-covered cord. Not equipped with Press-to-Talk Switch.



HEAD-CHEST SET TYPE A429

DYNALEC PART 702019-325

Similar to Type A330, but has a single receiver, no switch, 10-foot cord.

HEAD-CHEST SET TYPE A602

DYNALEC PART 702019-855

Same as Type A330, but comes equipped with Press-To-Talk Switch.

HEAD-CHEST SET TYPE A603

DYNALEC PART 702019-905

Single receiver with Press-To-Talk Switch.

HEADSET TYPE A331

DYNALEC PART 702019-245

Weatherproof. Double-receiver type with a 19-inch rubber-covered cord and lug terminals.

**HEADSET
TYPE A332**

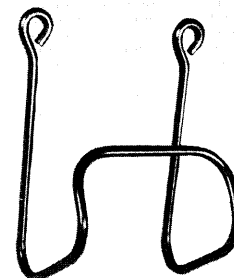
DYNALEC PART 702019-255

Weatherproof. Single receiver type headset with a 19-inch rubber-covered cord and lug terminals.

**HEAD-CHEST SET HOLDER
TYPE 5740**

DYNALEC PART 701005-343

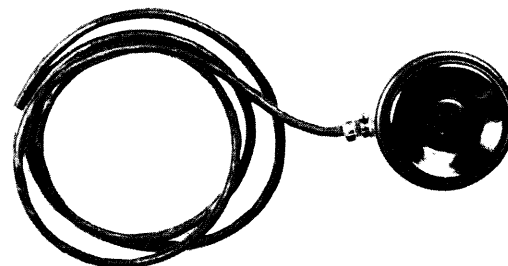
A bulkhead-mounted device which holds all models headset-chest sets. Formed from 0.1875-inch diameter stainless steel rod. Manufactured to BUSHIPS Drawing 815-1853041.



**POCKET TELEPHONE
TYPE A278**

DYNALEC PART 702019-090

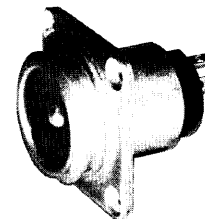
Combined sound-powered receiver and transmitter. 2.375-inch diameter with a 3.5 inch rubber-covered cord. Ideal for testing or periodic reports to a central station. Weighs 7 ounces without a cord.



**PANEL-MOUNTED JACK
TYPE UA1076**

DYNALEC PART 65002-004

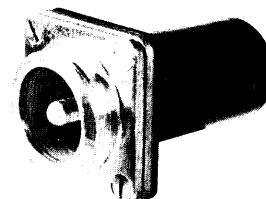
Made of solid brass and stainless steel with phenolic insulation block.



**WATERTIGHT JACK
TYPE A689**

DYNALEC PART 702003-453

Portable watertight jack accepts either the UA1000 or the A529 portable plug.

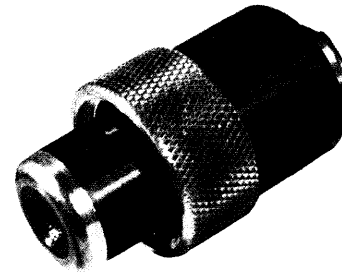
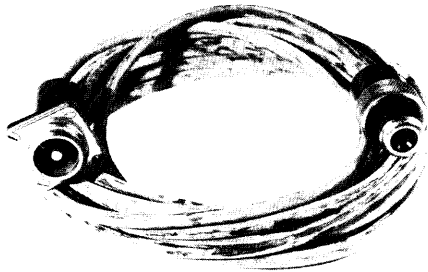


INDUSTRIAL SOUND-POWERED TELEPHONE SYSTEMS

PORTABLE PLUG TYPE A529

DYNALEC PART 702004-234

A portable plug for 0.25 inches to 0.3125 inches diameter cords.



EXTENSION CORDSETS

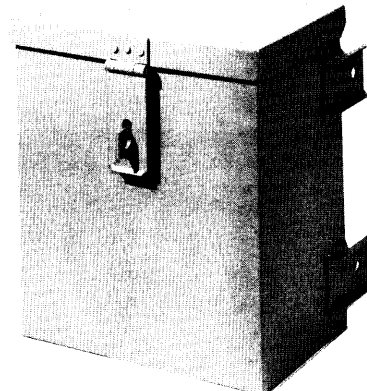
TYPE	EQUIPMENT	DYNALEC PART
A567-1	25-foot Cord/Jack and Plug	702019-785
A567-2	50-foot Cord/Jack and Plug	702019-786
A567-3	75-foot Cord/Jack and Plug	702019-787
A567-4	100-foot Cord/Jack and Plug	702019-788
A804-1	25-foot Cord with two Jacks	702019-960
A804-2	50-foot Cord with two Jacks	702019-961
A804-3	75-foot Cord with two Jacks	702019-962
A804-4	100-foot Cord with two Jacks	702019-963

Types A567-1 to A567-4 include an A689 Jack and an UA1000 Plug, SJO Cable in lengths of 25 feet, 50 feet, 75 feet, and 100 feet respectively. Types A804-1 to A804-4 include two A689 Jacks, SJO Cable in lengths of 25 feet, 50 feet, 75 feet, and 100 feet, respectively.

STOWAGE BOXES

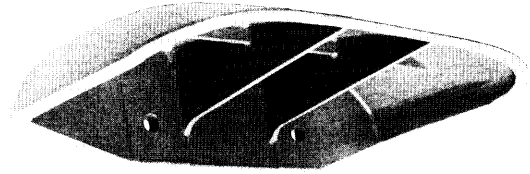
Drip-proof stowage boxes for headset-chestset storage. Shock-tested per MIL-S-901C. Manufactured per BUSHIPS 815-1853040.

COMPARTMENTS	SYMBOL NO.	DYNALEC PART
1 Compartment	2924.1	702003-464
2 Compartments	2925.1	702003-465
3 Compartments	2926.1	702003-466
4 Compartments	2927.1	702003-467
5 Compartments	2928.1	702003-468
6 Compartments	2929.1	702003-469



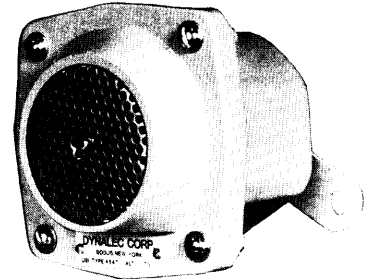
PROTECTIVE HOOD DYNALEC PART 701000-677

All aluminum station hood protects the Call Signal Station from dripping water or falling debris. Includes three-point mounting. Size of station with hood measures 12" wide, 13" high, and 6.125" deep. Weighs 2-1/2 lbs.



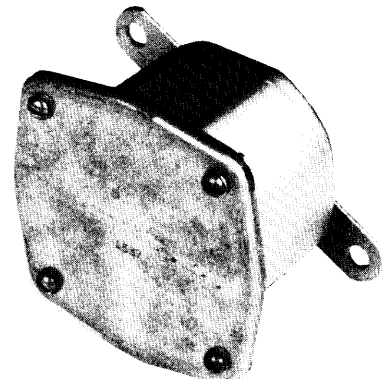
EXTENSION HOWLER A547 DYNALEC PART 702003-239

Provides call signals at a remote location when connected in parallel with the howler in any station.



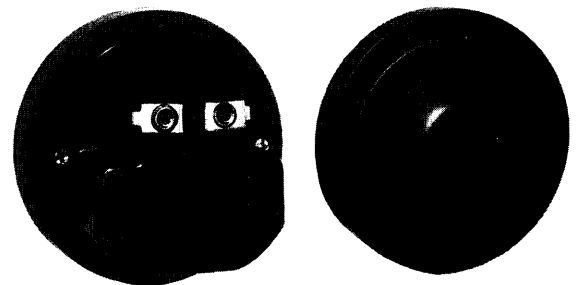
GENERATOR-OPERATED RELAY TYPE A537 DYNALEC PART 702019-435

Used to control externally powered signalling devices, such as the Visual Signal Device. Controls 115-volt power circuits with up to 1.5-Amp non-inductive load. Watertight brass case.

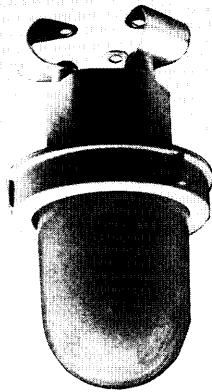


RECEIVER/TRANSMITTER UNITS TYPE UA1614-1/15 DYNALEC PART 702020-050/064

A series of receiver and transmitter units for sound-powered telephones, wall phones and head-chest sets. Available with warble frequency impedances from 12 to 28,000 Ohms. Weighs 3 ounces.



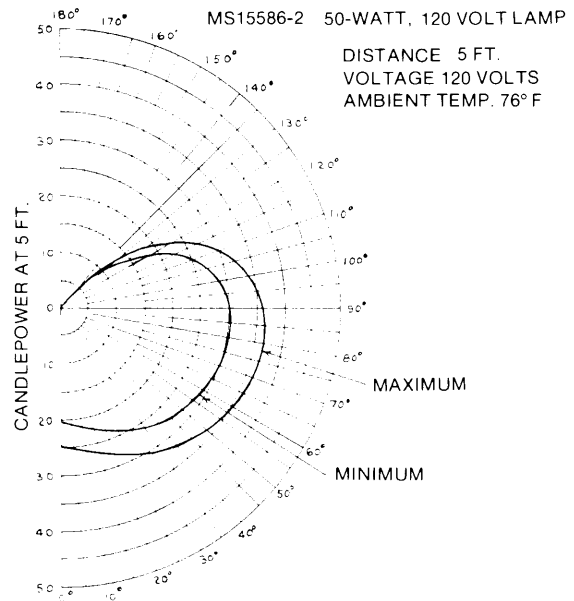
VISUAL SIGNAL DEVICE



MIL P/N M16377/27-92.2 DYNALEC PART 701021-250

Effective in high ambient noise areas, the Visual Signal Device provides a visual indication when there is an incoming call at the station. Requires an external power source. Can be bulkhead or overhead mounted.

VISUAL SIGNAL DEVICE

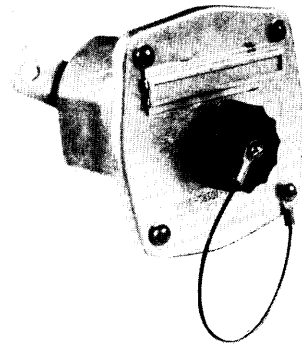


CANDLEPOWER DISTRIBUTION CURVES

WATERTIGHT JACKBOX

TYPE A343 G15A DYNALEC PART 702003-473
SYMBOL NO. 2841

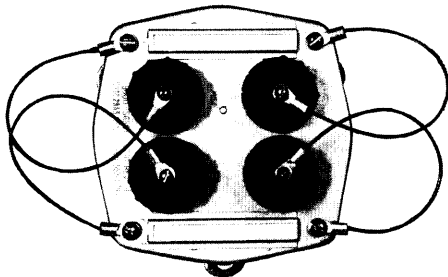
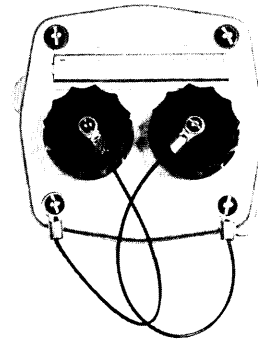
For use with sound-powered equipment using the UA1000 H39A or A529 portable plugs. Jack is designed to prevent short circuits from water entry into the enclosure when the cap is not covering the jack.



WATERTIGHT JACKBOX

TYPE A343 G15B DYNALEC PART 702003-471
SYMBOL NO. 2842

Similar to above but with two jacks.



WATERTIGHT JACKBOX

TYPE A343 G15C DYNALEC PART 702003-472
SYMBOL NO. 2843

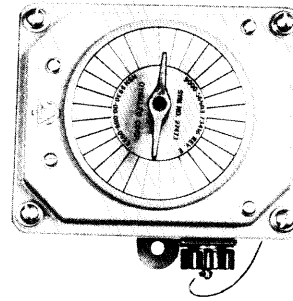
Similar to A343 G15A, but has provisions for four jacks.

ROTARY SELECTOR SWITCH

30-POSITION SWITCH WITH LIGHTED DIAL, SYMBOL 2747.1
30-POSITION SWITCH WITHOUT LIGHTED DIAL, SYMBOL 2747

DYNALEC PART 702014-920
DYNALEC PART 702014-919

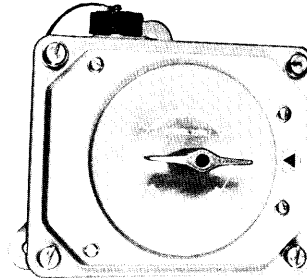
A selector switch having 30-positions. Available with and without lighted dial.



ROTARY SELECTOR SWITCH

TYPE A442S1 **DYNALEC PART 702000-903**
SYMBOL NO. 2788.1

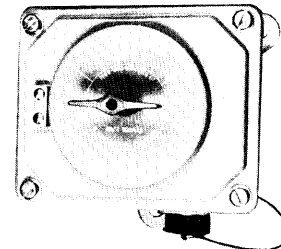
Watertight, 16-position enclosed switch equipped with a panel-mounted jack for the connection of handset or headset. Operator may select any of 16 circuits. Switch has silver-plated, wiping contacts. Lighted dial for night use.



ROTARY SELECTOR SWITCH

TYPE A442 **DYNALEC PART 702019-366**
SYMBOL NO. 2788

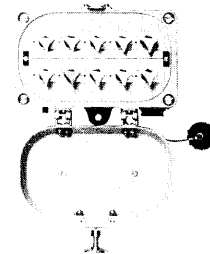
Similar to Type A442S1, but without lighted dial.



SWITCH BOX

TYPE A17A, SYMBOL NO. 2860.1
DYNALEC PART 65002-700

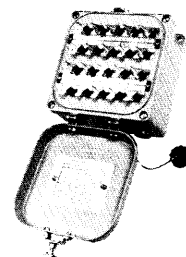
A watertight switch box which provides flexibility in establishing sound-powered circuits. Equipped with 10 TYPE S-2JF1 rotary switches. Wiring diagram is included on the inner side of the hinged cover; dust cap with safety cable for panel-mounted jack; terminal board connected.



SWITCH BOX

TYPE A19A, SYMBOL NO. 2861.1
DYNALEC PART 65002-705

Similar to TYPE A-17A, except it contains 20 switches.



***AUDIO FREQUENCY AMPLIFIER, AM-2210G/WTC**

DYNALEC PART 61660-000

*A separate product sheet is available on request.

INDUSTRIAL SOUND-POWERED TELEPHONE SYSTEMS

CALL SIGNAL STATION

	TYPE	DYNALEC PART
COMMON TALKING/COMMON SIGNALLING	A541	702019-455
COMMON TALKING/SELECTIVE SIGNALLING	A542	702019-505
COMMON TALKING/SELECTIVE SIGNALLING	A543	702019-520
SUBSTATION	A540	702019-445
COMMON TALKING/COMMON SIGNALLING	A544	702019-535
COMMON TALKING/SELECTIVE SIGNALLING	A545	702019-545
COMMON TALKING/SELECTIVE TALKING	A546	702019-555
SUBSTATION	A571	702019-835

Three basic types of units are offered:

COMMON TALKING/COMMON SIGNALLING is a simple *party line* system for up to six stations.

COMMON TALKING/SELECTIVE SIGNALLING enables communication with only the called station. TYPE A542 allows for up to eight stations within the system. TYPE A543 can include up to 16 stations.

The **SUBSTATION** unit is used in a Master Station/Substation System. The Master Station unit can be either the Common Talking/Selective Signalling units A542, A543, A545, or A546. The Substation unit can receive calls and can originate calls only with the master station. The number of units on line depends on the number of positions on the master station selector switch.

Types A540 to A543 are industrial units, mainly intended for use in typical environments where there are not the presence of any gaseous hazards. Types A544, A545, A546, and A571 are approved by the Bureau of Mines for use in hazardous areas. Tested in methane-air mixtures only. Bureau of Mines Approval Number 905.

High efficiency transducers in each telephone provide voice reception comparable in volume to public telephone systems. The system can provide up to 16 sound-powered (point-to-point), communications at various locations. Also, it does not require an external power source. Ringing is accomplished by a hand-cranked magneto (generator), producing sufficient power to operate a howler at the called station. Common Talking/Selective Signalling units include a multi-position selector switch. These units are designed for use in adverse conditions.

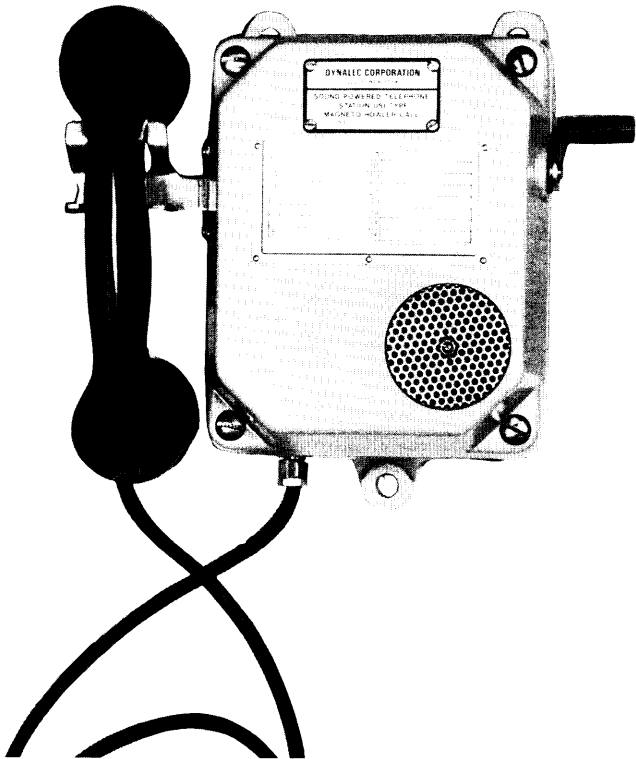
The Call Signal Station measures 10-3/4 inches wide, 9-3/4 inches high, and 5-3/4 inches deep. It weighs 10 lbs.

REPLACEMENT PARTS FOR THE CALL SIGNAL STATION*

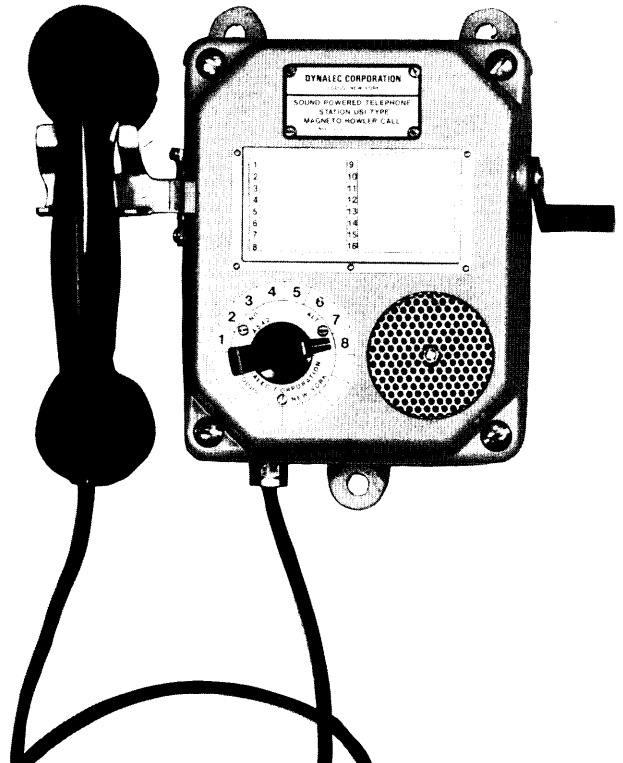
The following are the recommended spare parts for the Call Signal Station:

Generator	DYNALEC PART 702019-300
Generator Handle Assembly	DYNALEC PART 701021-600
Howler Unit	DYNALEC PART 702020-056
Howler Guard Assembly	DYNALEC PART 65002-226
Cover Gasket	DYNALEC PART 701000-623
Rotary Selector Switch	DYNALEC PART 702020-030
Switch Knob	DYNALEC PART 701003-047

*Replacement parts may be ordered from your distributor.



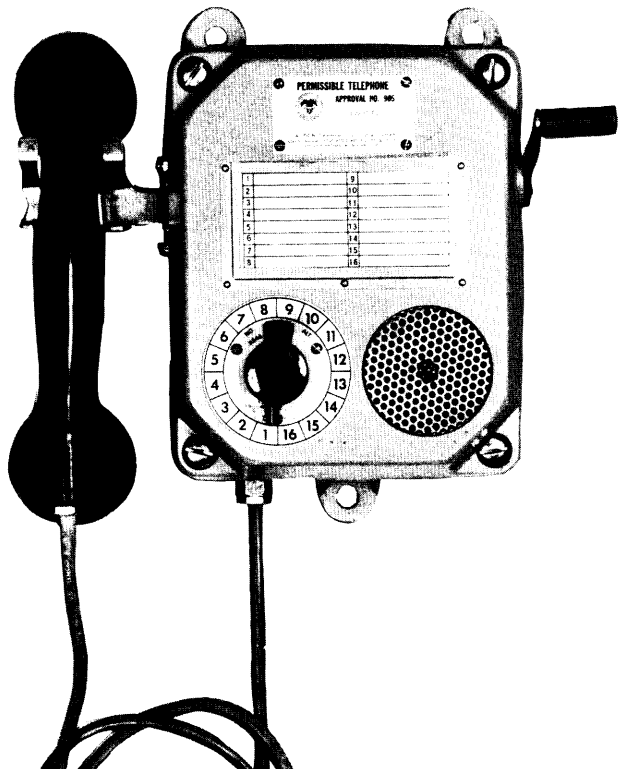
COMMON TALKING/COMMON SIGNALLING
(INDUSTRIAL TYPE)
TYPE A541



COMMON TALKING/SELECTIVE SIGNALLING
(INDUSTRIAL TYPE)
TYPE A542

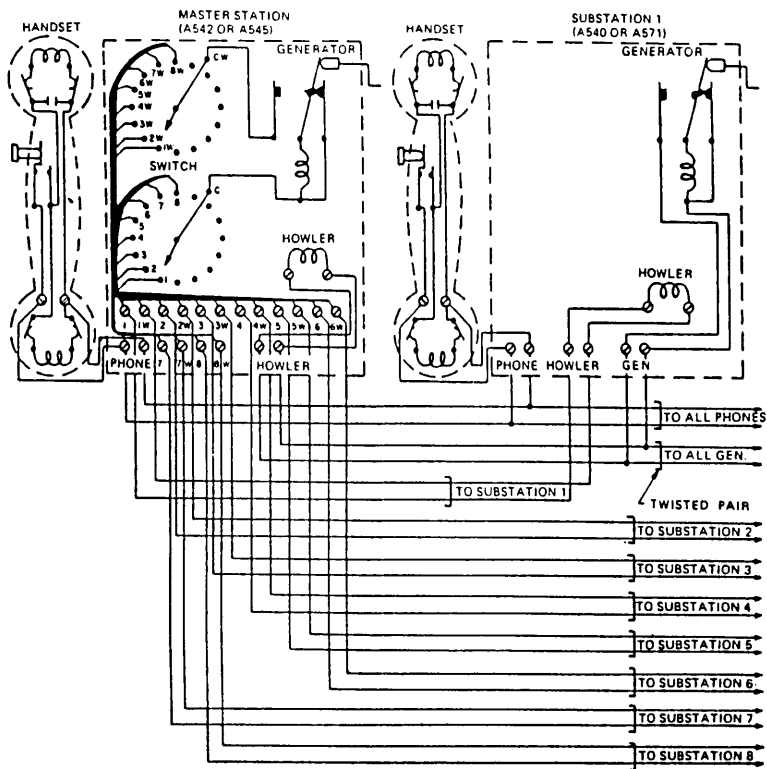


COMMON TALKING/COMMON SIGNALLING
(BUREAU OF MINES APPROVED)
TYPE A545

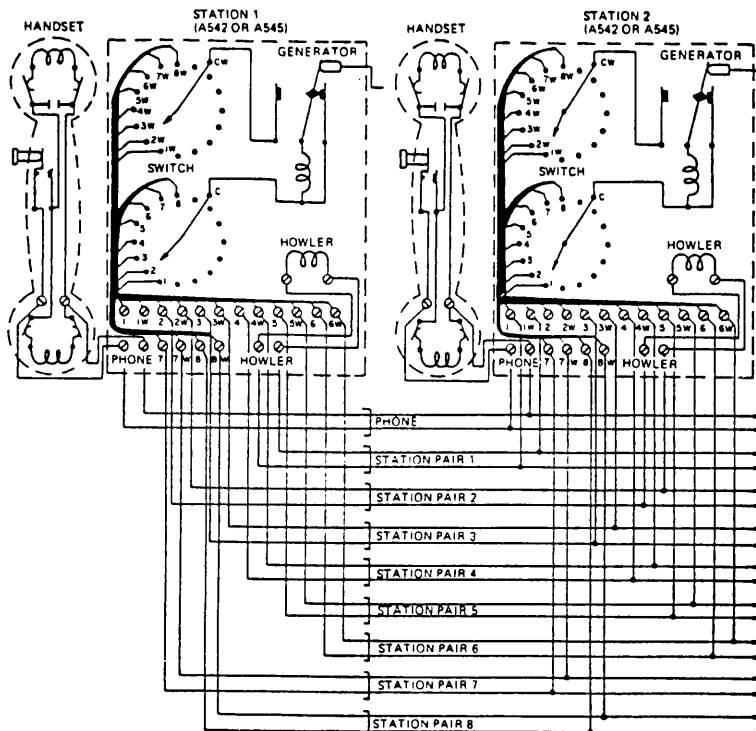


COMMON TALKING/SELECTIVE SIGNALLING
(BUREAU OF MINES APPROVED)
TYPE A546

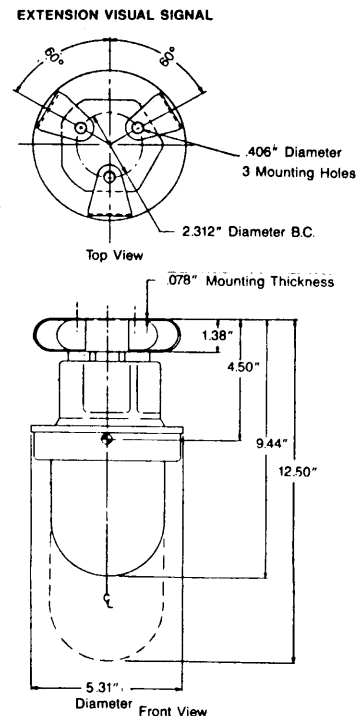
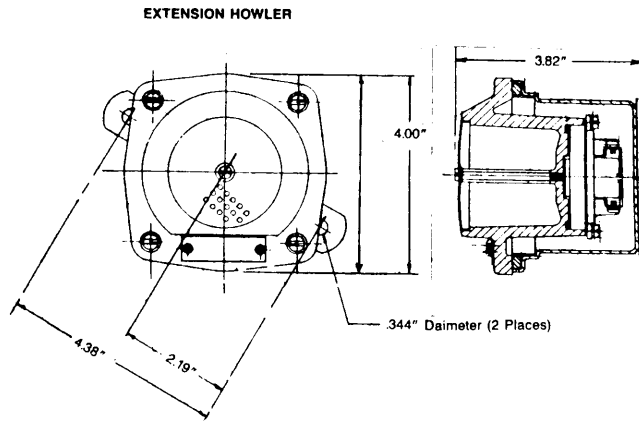
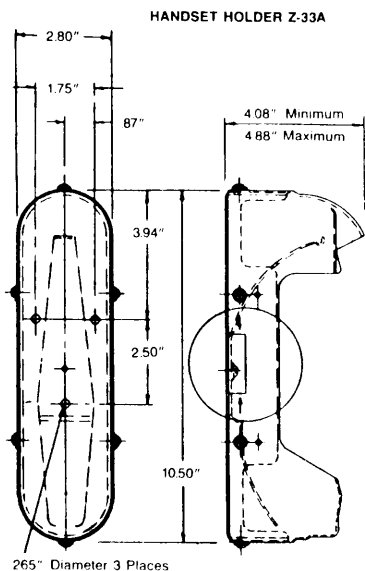
TYPICAL CALL SIGNAL STATION SYSTEMS TYPICALLY USING MASTER STATION AND SUBSTATIONS



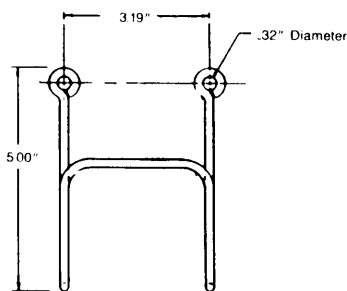
TYPICALLY USING MASTER STATIONS



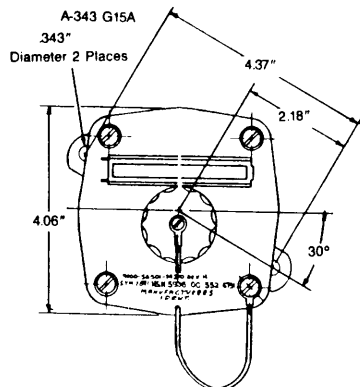
MOUNTING INFORMATION



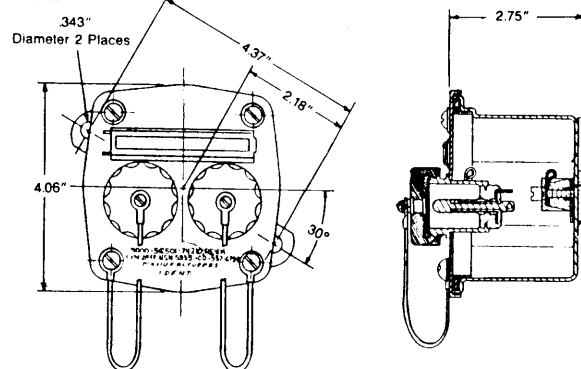
HEAD-CHEST SET HOLDER



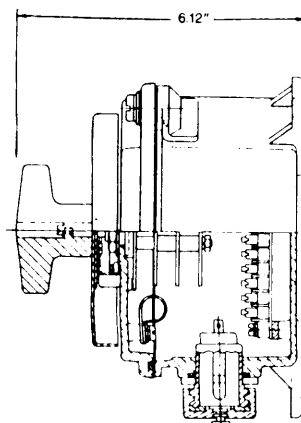
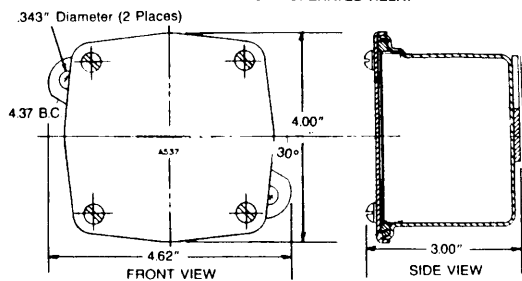
WATERTIGHT JACKBOXES



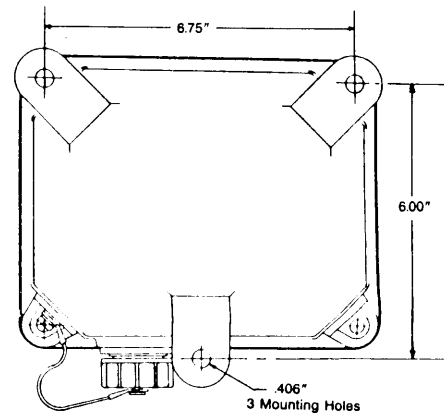
A-343 G15B



GENERATOR-OPERATED RELAY

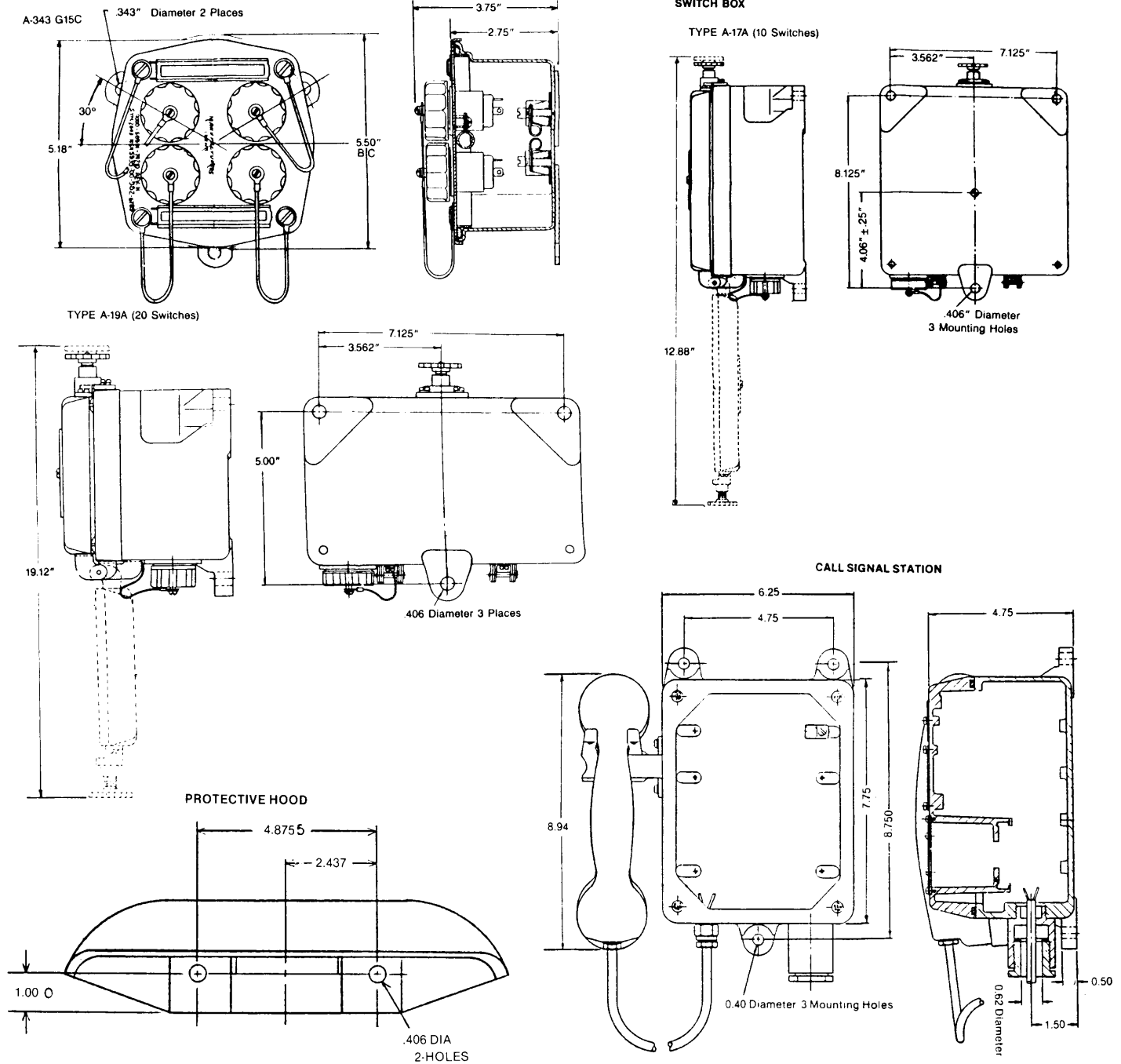


ROTARY SELECTOR SWITCH



INDUSTRIAL SOUND-POWERED TELEPHONE SYSTEMS

MOUNTING INFORMATION (CONT.)



DYNALEC CORPORATION

For over thirty years, Dynalec Corporation has established a solid reputation for quality, design excellence and manufacturing expertise. With unsurpassed attention to detail and strict adherence to specifications and all other standards, Dynalec continues to strive to provide its customers with reliable products. Dynalec is ready to offer information about its products or quote on any product.



87 WEST MAIN STREET
 SODUS, NEW YORK 14551

TELEPHONE 315-483-6923
 FAX 315-483-2298
 FAX 315-483-6656